

**ROTAX®**

# ILLUSTRATED PARTS CATALOGUE

**125 DD2 MAX EVO**



# ROTAX®

## MODELS:

125 DD2 MAX EVO

MODEL **36.0125.210**



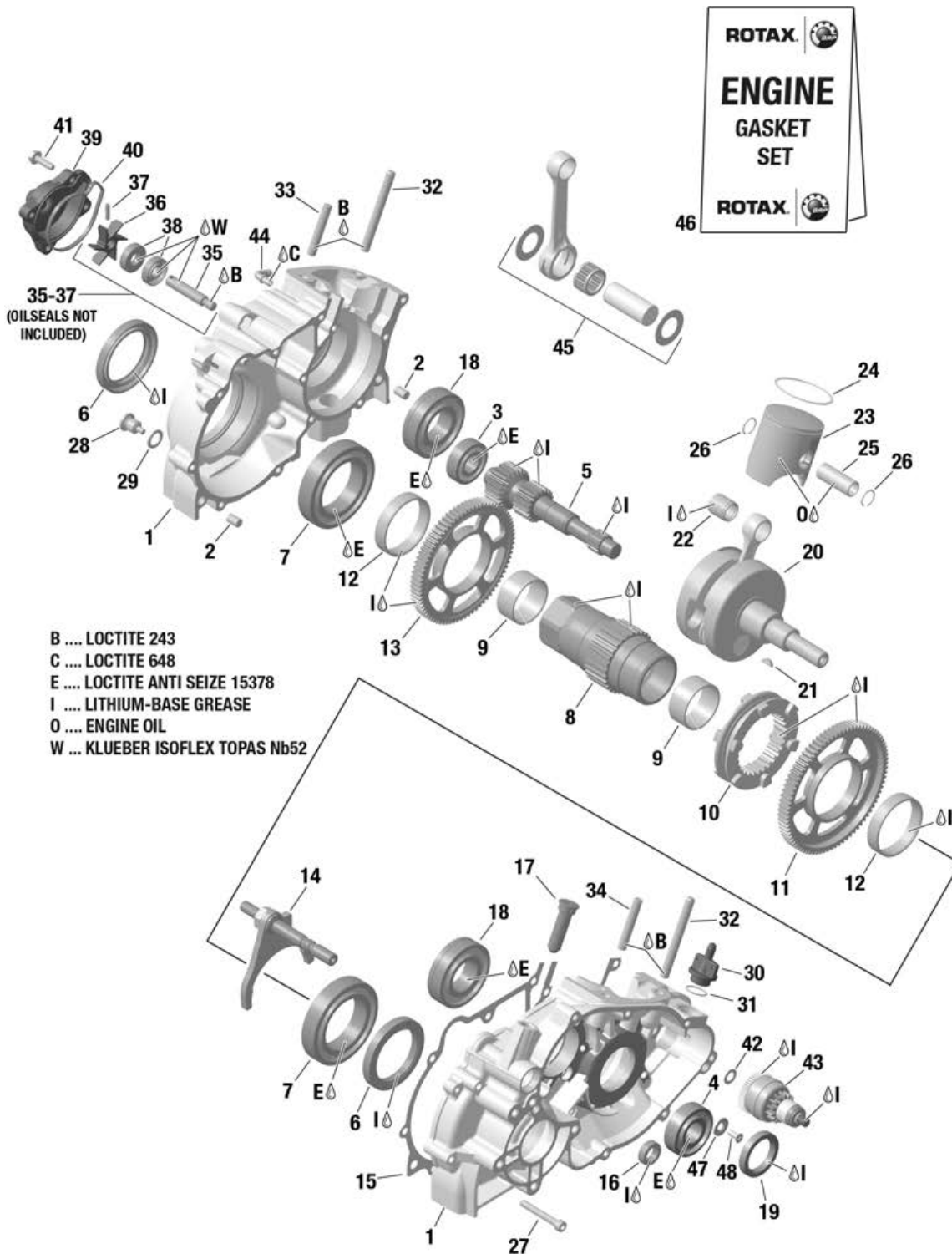
## Table of Revision

CHANGE	DATE	CHAPTER	#	PART#	DESCRIPTION
--------	------	---------	---	-------	-------------

## Table of Content

CHAPTER	DESCRIPTION	PAGE
1	CRANKCASE. DRIVETRAIN. GEARBOX	4
2	CYLINDER	8
3	E-RAVE SYSTEM	12
4	CENTRIFUGAL CLUTCH. PRIMARY BALANCE DRIVE	16
5	SHIFTING MECHANISM. TRANSMISSION	20
6	ELECTRONIC COMPONENTS	24
7	BATTERY. BATTERY CHARGER	28
8	WIRING HARNESS	30
9	CARBURETTOR. CARBURETTOR ACCESSORIES	32
10	RADIATOR. RADIATOR ACCESSORIES	36
11	INTAKE SILENCER. AIR FILTER	38
12	EXHAUST SYSTEM	40
13	EVO UPGRADE KIT IGNITION	42
14	EVO UPGRADE KIT E-EXHAUST VALVE	46
15	REPAIR TOOLS	48
16	SCRUTINEERING TOOLS	50
17	REAR TIRE PROTECTION SYSTEM	52
18	ACCESSORIES	54
19	SERVICE PRODUCTS	56

# 1 CRANKCASE. DRIVETRAIN. GEARBOX



# 1 CRANKCASE. DRIVETRAIN. GEARBOX

#	NEW	PART#	DESCRIPTION	QTY	CHANGE
1		684236	CRANK CASE ASSY. Ill.no. 1-2 For old and new paddle shift system	1	
2		632010	PIN 8X12 DIN 5402	2	
3		932030	BALL BEARING 6203 C3. 17-40-12	1	
4		932434	BALL BEARING 6204 - E - TVH C3	1	
5		620182	PRIMARY SHAFT 24/19 T	1	
6		630500	OIL SEAL ASL 50X68X8 NBR	2	
7		432330	B. BEARING 6010 C3 50-80-16	2	
8		620164	HOLLOW SHAFT	1	
9		233120	PLAIN BEARING 40X44X20	2	
10		257362	SHIFTING SLEEVE	1	
11		635703	IDLE GEAR 81 T 1. Gear	1	
12		632666	NEEDLE BEARING K 52X57X12	2	
13		635713	IDLE GEAR 77 T 2. Gear	1	
14		257405	SHIFT FORK ASSY.	1	
15		630522	GASKET	1	
16		250455	OIL SEAL 12X22X7	1	
17		257422	SHIFT RAIL DETENT PIN	1	
18		832533	BALL BEARING 6206 TVH C4M 30-62-16	2	
19		930695	OIL-SEAL AS 30X42X7/7.5 NBR	1	
20		685097	CRANKSHAFT ASSY. Ill.no. 20-21 Incl. Woddruff key	1	
21		246015	WOODRUFF KEY 3X5	1	
22		932027	NEEDLE CAGE K 15X19X20	1	
23	N	295509	PISTON ASSY. 53.92 MM Ill.no. 23-24 Smaller size	1	
23	N	295510	PISTON ASSY. 53.93 MM Ill.no. 23-24 Smaller size	1	
23		295511	PISTON ASSY. 53.94 MM Ill.no. 23-24 Standard	1	

# 1 CRANKCASE. DRIVETRAIN. GEARBOX

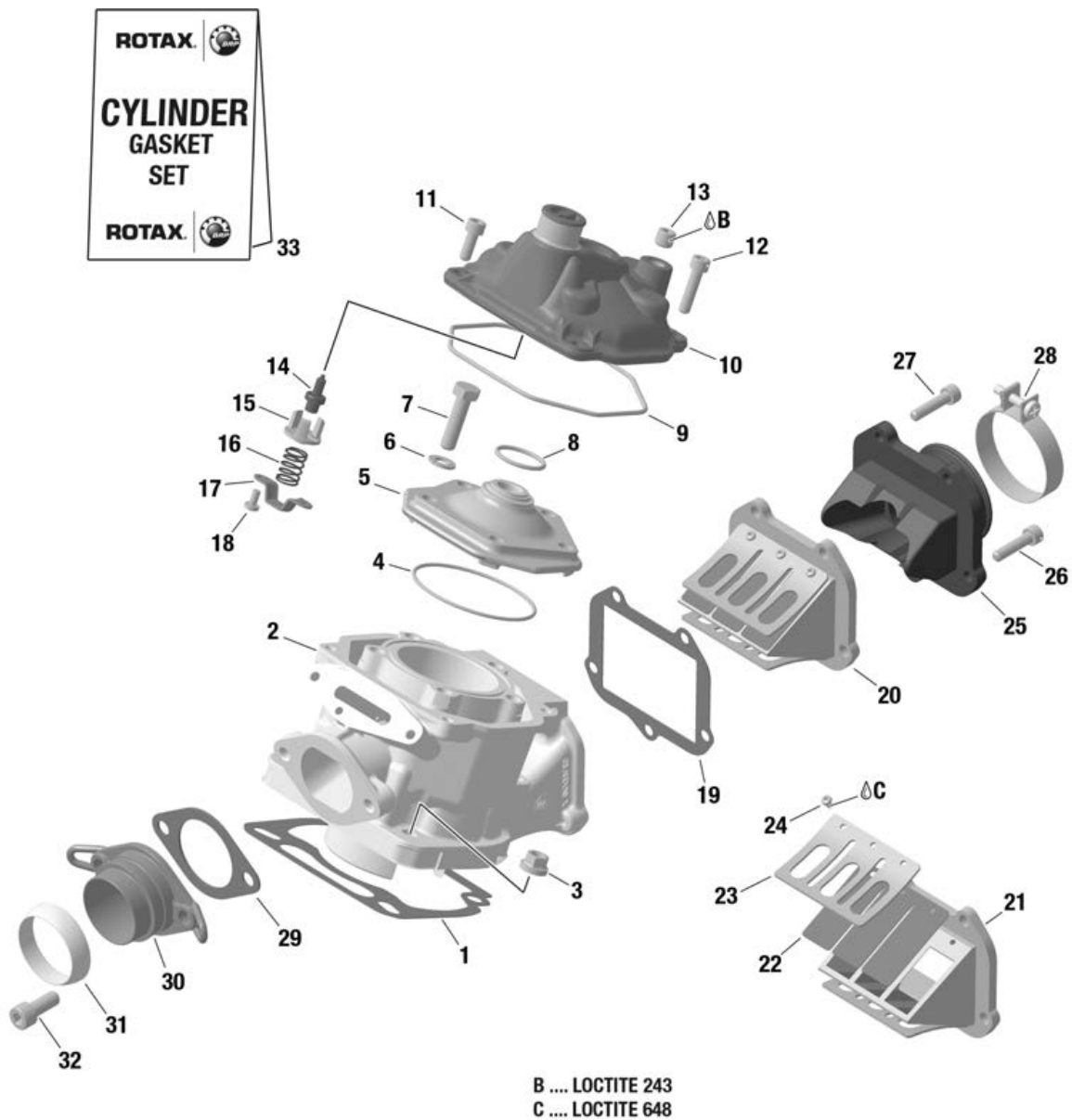
#	NEW	PART#	DESCRIPTION	QTY	CHANGE
23		295512	PISTON ASSY. 53.95 MM Ill.no. 23-24 Standard	1	
23		295513	PISTON ASSY. 53.96 MM Ill.no. 23-24 Standard	1	
23		295514	PISTON ASSY. 53.97 MM Ill.no. 23-24 Oversize	1	
23		295515	PISTON ASSY. 53.98 MM Ill.no. 23-24 Oversize	1	
24		215548	RECTANGULAR RING IS2-54/49.4X1	1	
25		216135	PISTON PIN 15X10/12.5X45.6	1	
26		945635	CIRCLIP 15 Use only once	2	
27		241823	ALLEN SCREW ISO 4762 - M6x45 - 8.8 Tightening torque 10 Nm	12	
28		241780	MAGNETIC DRAIN PLUG M12X1.5 Tightening torque 20 Nm	1	
29		250640	SEALING RING A 12X18-CU DIN 7603	1	
30		241925	AIR VENT SCREW M18X1.5	1	
31		250890	O-RING DIN 3771-17X1.5-N	1	
32		940787	STUD M8X57/20 Tightening torque 5 Nm	2	
33		241381	STUD M8X28/20 Tightening torque 5 Nm	1	
34		241386	STUD M8X28/20 Tightening torque 5 Nm With hole. for sealing the engine	1	
35		620275	WATERPUMP SHAFT ASSY. Ill.no. 35-37 Oil seals 230195 not included	1	
35		xxx	WATERPUMP SHAFT Tighting torque 4 Nm ATTENTION: Left hand thread	1	
36		xxx	IMPELLER	1	
37		229200	DOWEL 4X16	1	
38		230195	OIL SEAL A 10X26X7 NBR	2	
39		222720	WATER PUMP HOUSING	1	

# 1 CRANKCASE. DRIVETRAIN. GEARBOX

#	NEW	PART#	DESCRIPTION	QTY	CHANGE
40		630770	RUBBER RING 61.5X1.5X3.5	1	
41		941251	TAPTITE-SCREW M6X20 Tightening torque 7 Nm	4	
42		227945	THRUST WASHER 8.5/15/0.5	1	
43		294812	STARTER REDUCTION GEAR ASSY.	1	
44		924523	IMPULSE FITTING	1	
45		685011	CRANKSHAFT REPAIR KIT	1	
46		296162	GASKET SET ASSY. Oil seal (Chap. 03. Pos. 8) and exhaust gasket (Chap. 02. Pos. 31) not included	1	
47	N	227280	THRUST WASHER Recommended bearing fixation	1	
48	N	940316	COUNTERSUNK SCREW M5X12-5.8 Recommended bearing fixation	1	



## 2 CYLINDER



## 2 CYLINDER

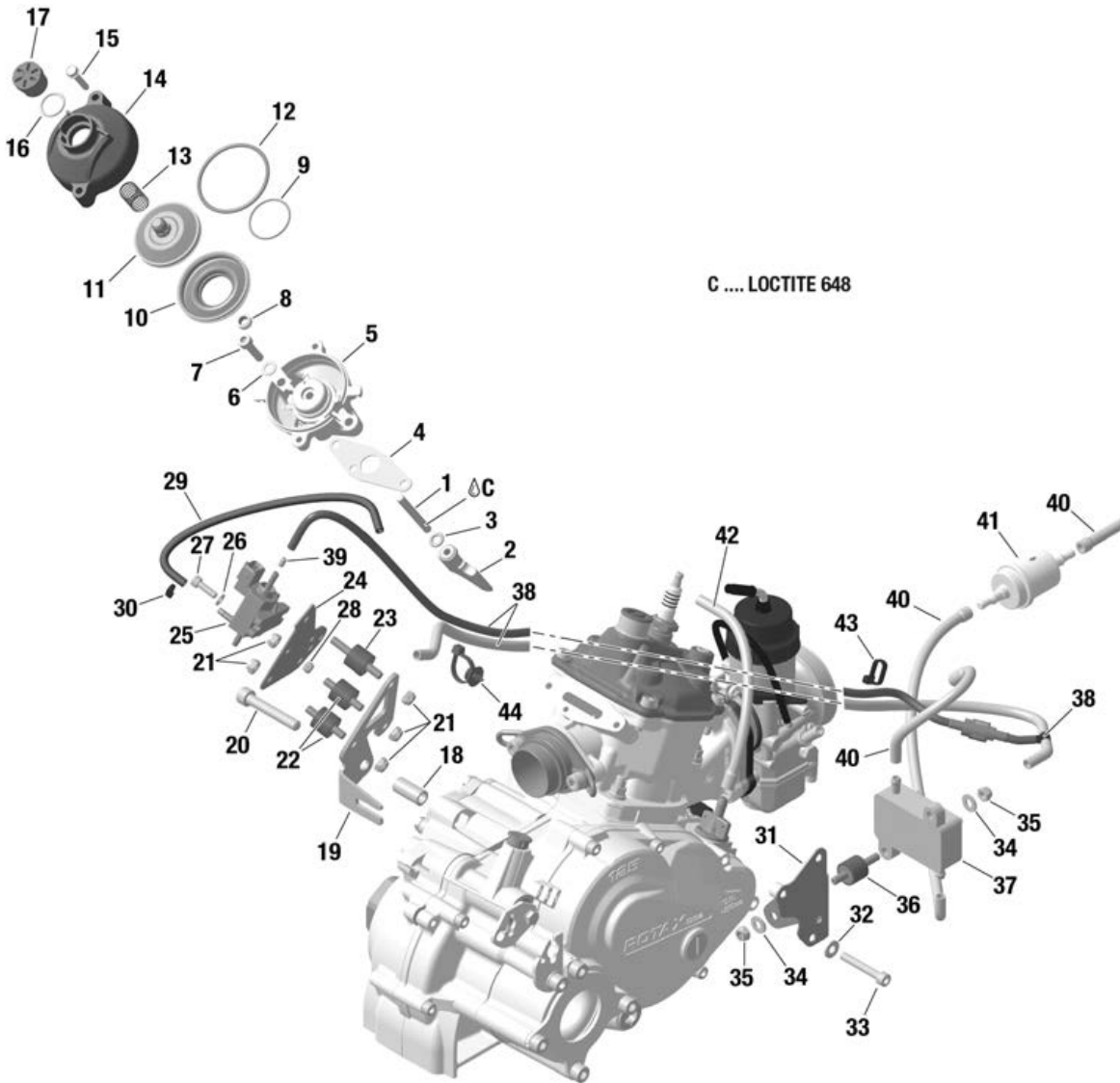
#	NEW	PART#	DESCRIPTION	QTY	CHANGE
1		650483	GASKET 0.4 MM	0.01	
1		650482	GASKET 0.8 MM	0.01	
1		650481	GASKET 0.5 MM	0.01	
1		650480	GASKET 0.3 MM	0.01	
1		431337	GASKET 0.2 MM Gasket for racing purpose only To ensure proper sealing please use Silicone Compound Grease 897061	0.01	
2		613932	CYLINDER NI SI C PLATED A: 54.000 - 54.010 mm AB: 54.010 - 54.015 mm B: 54.015 - 54.025 mm	1	
3		242707	COLLAR NUT M8 Tightening torque 24 Nm	4	
4		250160	O-RING 64X2	1	
5		223386	COMBUSTION CHAMBER INSERT	1	
6		945832	LOCK WASHER DIN 128-A8-FST	5	
7		940487	HEX.SCREW ISO 4017 - M8X30 - 10.9 Tightening torque 30 Nm	5	
8		430782	O-RING DIN 3771-23.3X2.4-N. MVQ 60	1	
9		250280	O-RING 105X2.5	1	
10		613104	CYLINDER HEAD COVER RED	1	
11		241237	ALLEN SCREW ISO 4762 - M6x16 - 8.8 Tightening torque 10 Nm	3	
12		641361	ALLEN SCREW M6X25 Tightening torque 10 Nm With hole. for sealing the engine	1	
13		641323	PLUG SCREW M10X1 DIN 906 - MK Tightening torque 10 Nm	1	
14		222125	THERMOSTAT. 45 DEGR.	1	
15		222175	THERMOSTAT HOLDER	1	
16		239950	COMPRESSION SPRING	1	
17		222202	THERMOSTAT RETAINING BRACKET	1	
18		240195	TAPTITE-SCREW M4X8 Tightening torque 3 Nm	2	
19		250521	GASKET	1	
20		224389	REED VALVE ASSY. Prod. 2019 Ill.no. 20-24	1	

## 2 CYLINDER

#	NEW	PART#	DESCRIPTION	QTY	CHANGE
20	N	224380	REED VALVE ASSY. Prod. 2020 Ill.no. 20-24	1	
21		xxx	REED VALVE Not available as spare part; Use Reed valve assy. 224389	1	
22		224431	REED PETAL	2	
23		xxx	REED PEDAL STOP	1	
24		240351	OVAL HEAD SCREW M3X6 DIN 7985 Tightening torque 1.5-2 Nm	6	
24	N	241035	TORX-TR-SCREW 3X6 - VIBRALOK Vibralok FOR REED BLOCK 224380 ONLY	1	
25		267411	INTAKE SOCKET	1	
26		641361	ALLEN SCREW M6X25 Tightening torque 7 Nm With hole. for sealing the engine	1	
27	N	840866	ALLEN SCREW ISO 4762 - M6x25 - 8.8 Tightening torque 7 Nm	4	
28		251850	HOSE CLAMP 51	1	
29		250271	GASKET	1	
30		273190	EXHAUST SOCKET	1	
31		450360	EXHAUST GASKET	1	
32		240072	ALLEN SCREW ISO 4762 - M8x20 - 8.8 Tightening torque 20 Nm	2	
33		296161	GASKET SET ASSY. CYLINDER Oil seal (Chap. 03. Pos. 8) and exhaust gasket (Chap. 02. Pos. 31) not included	1	



### 3 E-RAVE SYSTEM



### 3 E-RAVE SYSTEM

#	NEW	PART#	DESCRIPTION	QTY	CHANGE
1		441358	STUD M6X52.5 MK Tightening torque 10 Nm	1	
2		253725	EXHAUST VALVE	1	
3		230261	O-RING 6X2.5 NBR 70 RED	1	
4		250231	GASKET	1	
5		253385	VALVE ROD HOUSING KPL.	1	
6		845020	SPRING WASHER B6	2	
7		840866	ALLEN SCREW ISO 4762 - M6x25 - 8.8 Tightening torque 10 Nm	2	
8		930500	OIL SEAL 6X11X3/4.5	1	
9		838255	HOSE SPRING 70-1.7-0.3	1	
10		260723	BELLOW	1	
11		854440	EXHAUST VALVE PISTON Tightening torque 1-2 Nm	1	
12		939280	HOSE SPRING 134-3.0-0.65	1	
13		239952	COMPRESSION SPRING 48.5/0.8 MM	1	
14		911559	VALVE COVER	1	
15		241271	TAPTITE-SCREW M5X25	2	
16		430220	O-RING 15.9-2.3	1	
17		241220	ADJUSTMENT SCREW	1	
18		247980	DISTANCE SLEEVE 8.2/12/25.5	1	
19		651067	RETAINING PLATE	1	
20		841567	ALLEN SCREW ISO 4762 - M8X50 - 8.8 Tightening torque 24 Nm	1	
21		842041	LOCK NUT M6 - 6.6	5	
22		660522	RUBBER BUFFER 18X15XM6	2	
23		660520	RUBBER BUFFER 18X15XM6	1	
24		651925	MOUNTING PLATE	1	
25		664630	SOLENOID VALVE	1	
26		927574	WASHER 5.3 DIN 125	2	
27		840514	ALLEN SCREW ISO 4762 - M5x16 - 8.8	2	
28		842032	LOCK NUT M5-6.6	2	
29		660575	PRESSURE LINE 220 MM	1	
30		866718	TIE WRAP 94x2.5 MM	1	
31		xxx	RETAINING PLATE ASSY. See Chap. 4. Pos. 20	1	
32		xxx	WASHER 6.4 DIN 134 See Chap. 4. Pos. 21	2	

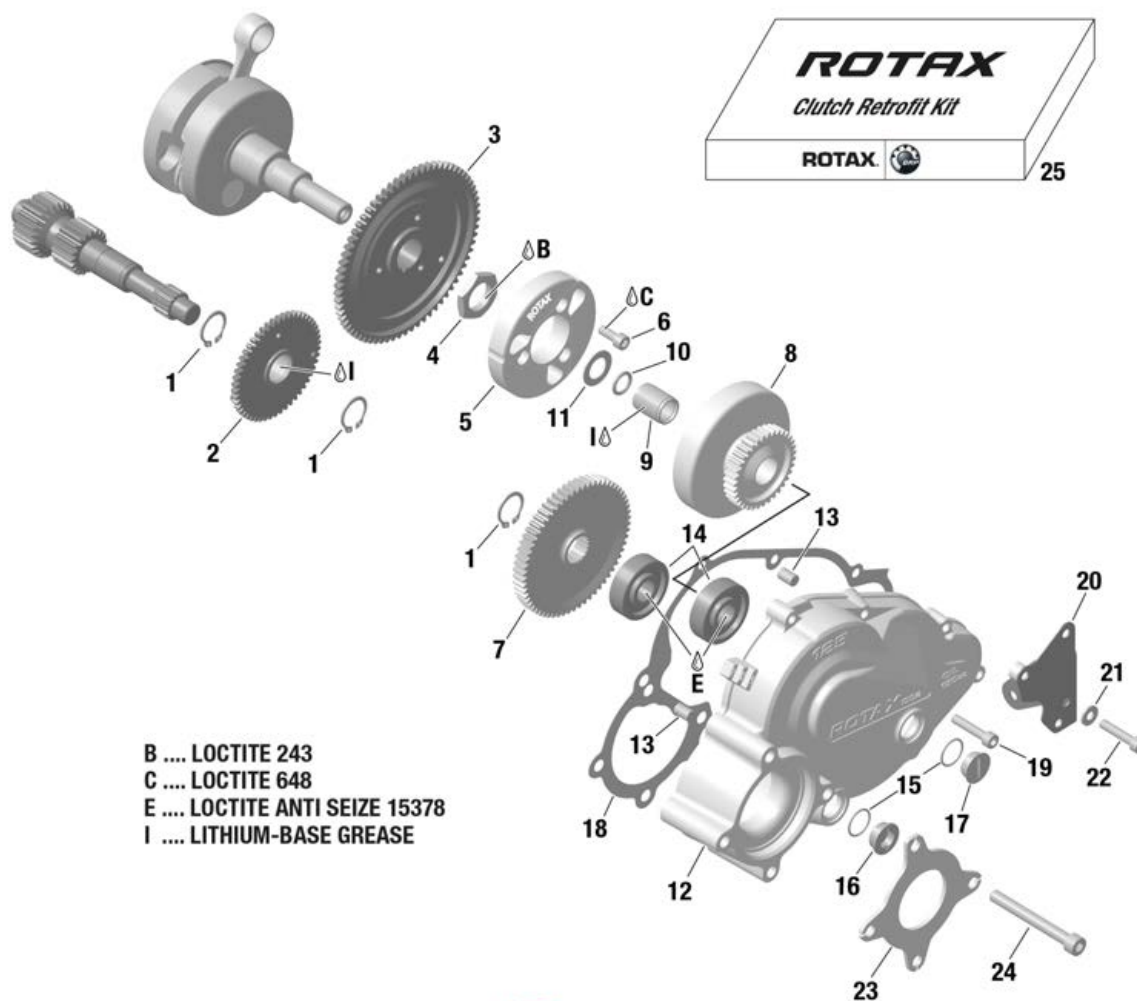
### 3 E-RAVE SYSTEM

#	NEW	PART#	DESCRIPTION	QTY	CHANGE
33		xxx	ALLEN SCREW M6x30 DIN 912 See Chap. 4. Pos. 22	2	
34		244211	WASHER 6.4 DIN 134	4	
35		842041	LOCK NUT M6 - 6.6	4	
36		660520	RUBBER BUFFER 18X15XM6	2	
37		994483	MIKUNI-FUEL PUMP	1	
38		651010	HOSE PACKAGE RAVE CONTROL UNIT Ill.no. 38-39	1	
40		xxx	HOSE A5x8/2500mm See Chap. 9. Pos. 50	1	
41		274161	FUEL FILTER WITH ROTAX PRINT	1	
42		xxx	HOSE A5x5/2500mm See Chap. 9. Pos. 50	1	
43		866714	TIE WRAP 142x3.2 MM	1	
44		951341	TIE WRAP WITH MOUNT 202X4.6	1	





# 4 CENTRIFUGAL CLUTCH. PRIMARY BALANCE DRIVE



B .... LOCTITE 243  
 C .... LOCTITE 648  
 E .... LOCTITE ANTI SEIZE 15378  
 I .... LITHIUM-BASE GREASE

### RECOMMENDED

**XPS® KART TEC DD2 KART GEAR OIL**  
 Part No: 25473    Contents: 1000 ml



## 4 CENTRIFUGAL CLUTCH. PRIMARY BALANCE

### DRIVE

#	NEW	PART#	DESCRIPTION	QTY	CHANGE
1		945664	RETAINING RING WITH LUG DIN 983-20X1.2	3	
2	N	635749	BALANCE GEAR 50 T ASSY. Reinforced configuration INSTALL IN COMBINATION WITH 434844 ONLY	1	
3	N	434844	STARTER GEAR 70 T ASSY. Reinforced configuration INSTALL IN COMBINATION WITH 635749 ONLY	1	
4		242873	HEX.NUT M22X1.5 H=6 Tightening torque 180 Nm	1	
5		659905	CLUTCH	1	
6		640901	ALLEN SCREW M6X16 DIN 912 Tightening torque 17 Nm	3	
7		435541	SECONDARY GEAR 65 T Optional	1	
7		435542	SECONDARY GEAR 64 T Optional	1	
7		435543	SECONDARY GEAR 63 T Optional	1	
7		435544	SECONDARY GEAR 62 T Standard	1	
7		435547	SECONDARY GEAR 59 T Optional Secondary Gear	1	
7		435545	SECONDARY GEAR 61 T Optional Secondary Gear	1	
7		435546	SECONDARY GEAR 60 T Optional	1	
8		659920	CLUTCH W. PRIMARY DRIVE GEAR 34T Optional	1	
8		659924	CLUTCH W. PRIMARY DRIVE GEAR 35T Standard	1	
8		659923	CLUTCH W. PRIMARY DRIVE GEAR 33T Optional	1	
8		659922	CLUTCH W. PRIMARY DRIVE GEAR 32T Optional	1	
8		659928	CLUTCH W. PRIMARY DRIVE GEAR 38T Optional	1	
8		659927	CLUTCH W. PRIMARY DRIVE GEAR 37T Optional	1	
8		659926	CLUTCH W. PRIMARY DRIVE GEAR 36T Optional	1	

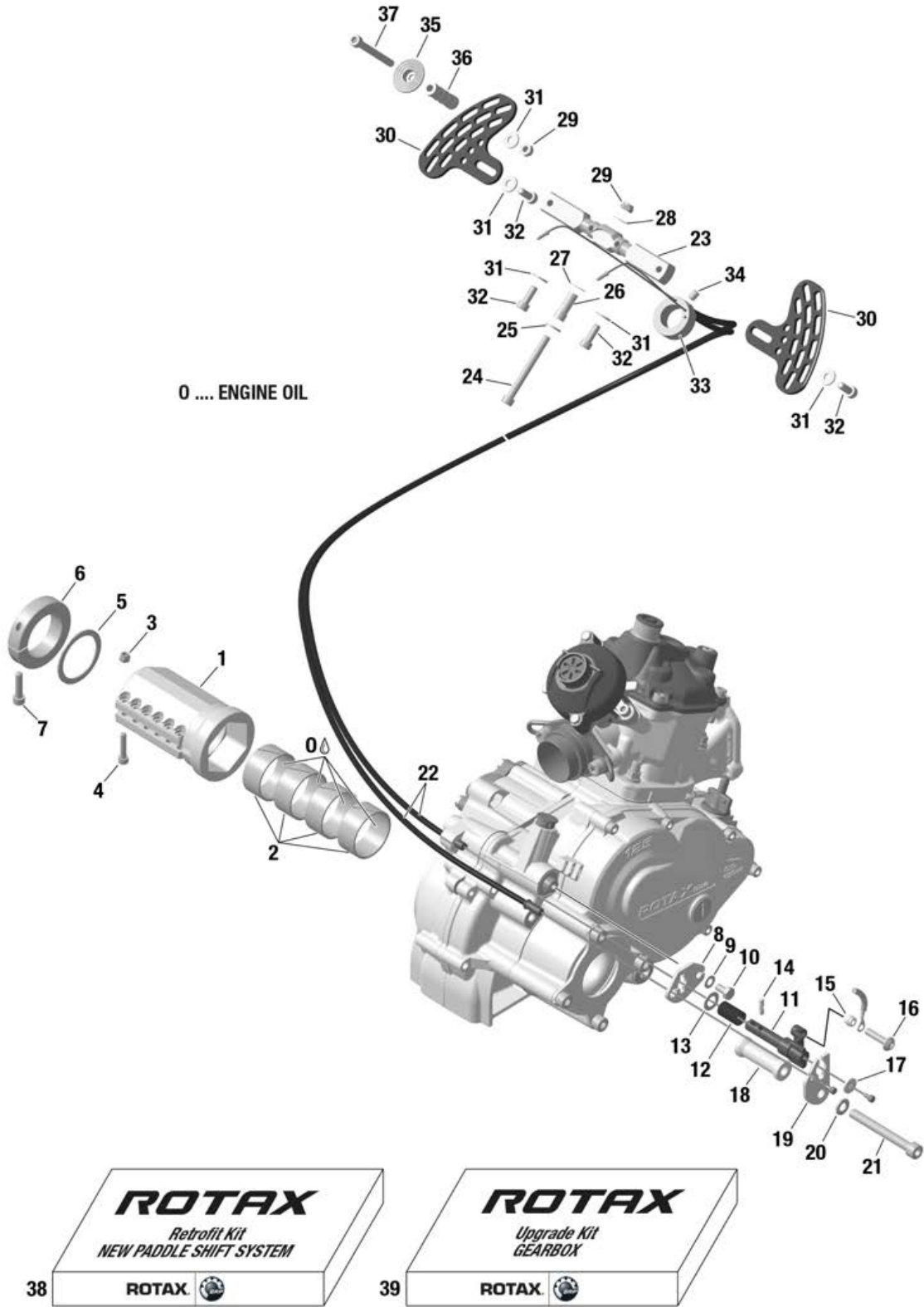
## 4 CENTRIFUGAL CLUTCH. PRIMARY BALANCE

### DRIVE

#	NEW	PART#	DESCRIPTION	QTY	CHANGE
9		632410	NEEDLE CAGE 15X19X24	1	
10		950815	O-RING DIN 3771-12X2.5-N. NBR 70	1	
11		927057	THRUST WASHER 15.2/25/1	1	
12		610643	CLUTCH COVER	1	
13		632010	PIN 8X12 DIN 5402	2	
14		232291	BALL BEARING 6302 TN9C3/15-42-13	2	
15		250890	O-RING DIN 3771-17X1.5-N	2	
16		240820	OIL LEVEL SCREW M18X1.5	1	
17		241800	PLUG SCREW M18X1.5	1	
18		630512	GASKET	1	
19		840888	ALLEN SCREW ISO 4762 - M6x30 - 8.8 Tightening torque 10 Nm	4	
20		651056	RETAINING PLATE ASSY.	1	
21		244211	WASHER 6.4 DIN 134	2	
22		241816	ALLEN SCREW M6X40 DIN 912 Tightening torque 10 Nm	2	
23		251335	SUPPORT PLATE	1	
24		841991	ALLEN SCREW M8X70 Tightening torque 22 Nm	4	
25		281723	RETROFIT KIT CLUTCH 125 MAX DD2	1	



# 5 SHIFTING MECHANISM. TRANSMISSION



## 5 SHIFTING MECHANISM. TRANSMISSION

#	NEW	PART#	DESCRIPTION	QTY	CHANGE
1		281870	COUPLING FLANGE SET Ill.no. 1-4	1	
1		xxx	COUPLING FLANGE	1	
2		233120	PLAIN BEARING 40X44X20	4	
3		942025	LOCK NUT DIN-982 M5-8	6	
4		940882	ALLEN SCREW ISO 4762 - M5x30 - 8.8	6	
5		427280	THRUSTWASHER 40/50/1.5	1	
6		251740	CLAMPING RING	1	
7		840866	ALLEN SCREW ISO 4762 - M6x25 - 8.8 Tightening torque 10 Nm	1	
8		251406	RETAINING PLATE	1	
9		845020	SPRING WASHER B6	1	
10		240382	HEX. SCREW ISO 4017 - M6X12 - 8.8 Tightening torque 10 Nm	1	
11		660538	SHIFT CONTACT ASSY. Ill.no. 11-14	1	
12		xxx	COMPRESSION SPRING Dm11.3 D1.4 L59.0	1	
13		xxx	THRUST WASHER	1	
14		xxx	LOCATING PIN	1	
15		974531	FUEL TUBE 8 MM	1	
16		940431	PLASTITE SCREW 6X25	1	
17		626770	WASHER 3.8/14/2	1	
18		847482	SPACER	1	
19		251521	SHIFT CONTACT GUIDANCE	1	
20		945832	LOCK WASHER DIN 128-A8-FST	1	
21		841991	ALLEN SCREW M8X70 Tightening torque 22 Nm	1	
22		297134	CABLE BOWDEN ASSY.	1	
23		257990	CONTROL WHIP	1	
24		240373	ALLEN SCREW ISO 4762 - M6x60 - 8.8	1	
25		244211	WASHER 6.4 DIN 134	1	
26		247440	SPACER	1	
27		227945	THRUST WASHER 8.5/15/0.5	1	
28		845020	SPRING WASHER B6	1	
29		842041	LOCK NUT M6 - 6.6	1	
30		657010	CONTROL LEVER	2	
31		244211	WASHER 6.4 DIN 134	4	

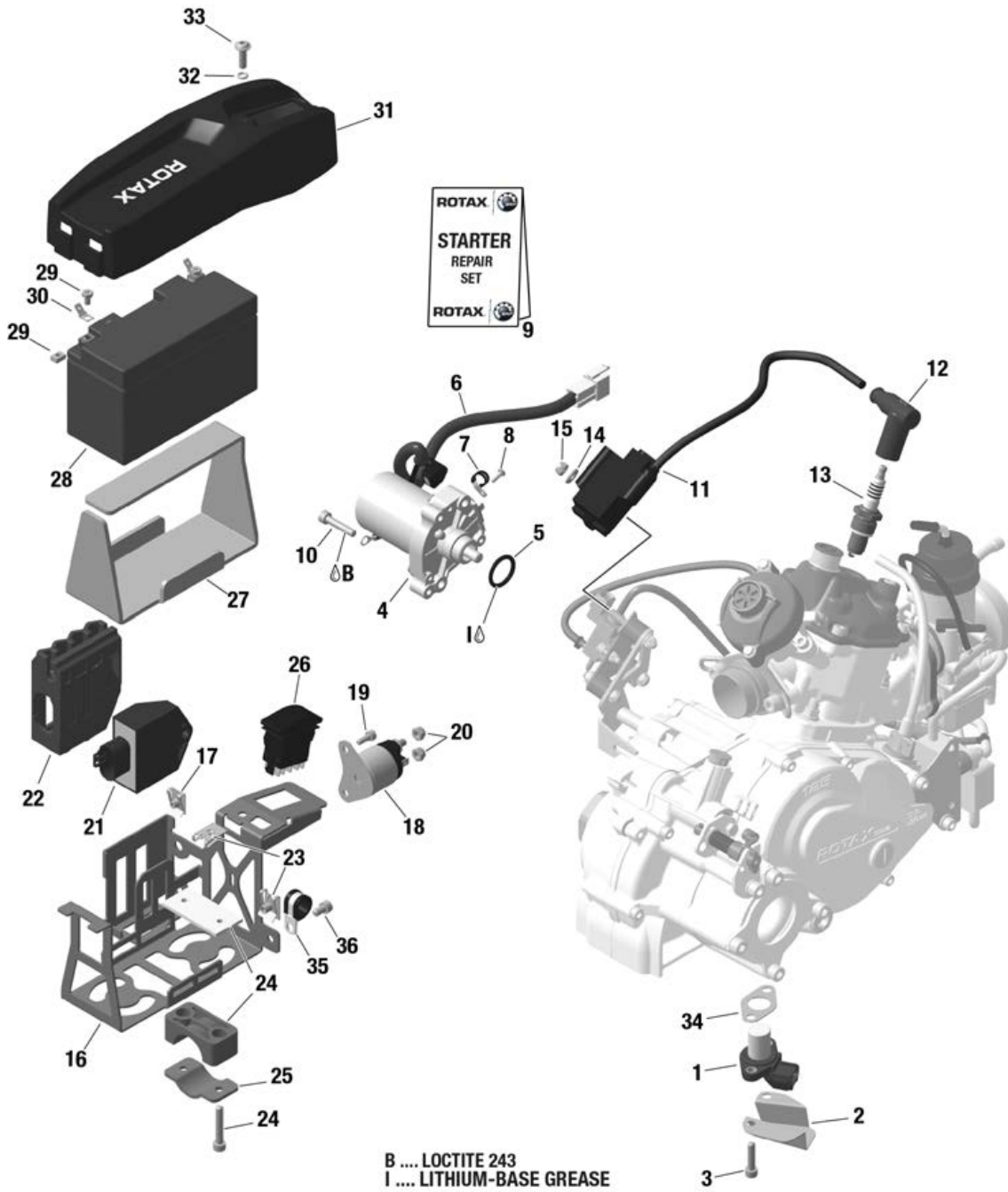
## 5 SHIFTING MECHANISM. TRANSMISSION

#	NEW	PART#	DESCRIPTION	QTY	CHANGE
32		241237	ALLEN SCREW ISO 4762 - M6x16 - 8.8	4	
33		651510	CABLE SUPPORT	1	
34		841771	SET SCREW M6X8	1	
35		657030	THRUST WASHER Optional	0.01	
36		647190	SPACER Optional	0.01	
37		240373	ALLEN SCREW ISO 4762 - M6x60 - 8.8 Optional	0.01	
38		281850	RETROFIT KIT PADDLE SHIFT S. 125 MAX DD2 DD2	1	
39		281855	RETROFIT KIT GEARBOX 125 MAX DD2	1	





# 6 ELECTRONIC COMPONENTS



## 6 ELECTRONIC COMPONENTS

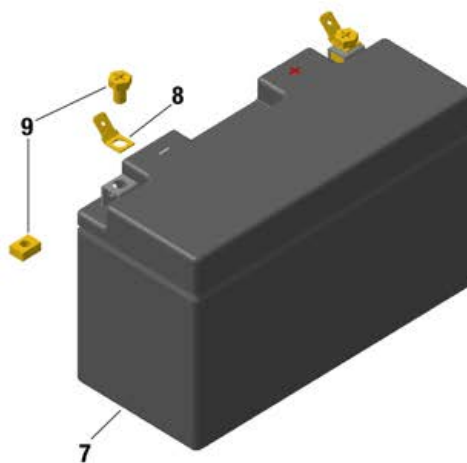
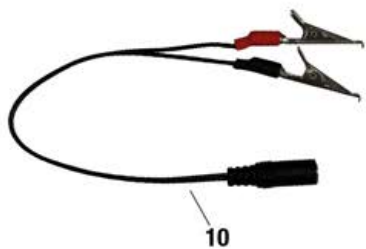
#	NEW	PART#	DESCRIPTION	QTY	CHANGE
1		265560	PICK UP SENSOR Incl. rubber ring; rubber ring not available separately	1	
2		251531	PROTECTION SHIELD	1	
3		840866	ALLEN SCREW ISO 4762 - M6x25 - 8.8 Tightening torque 10 Nm	2	
4		294805	ELECTRIC STARTER ASSY. Ill.no. 4-8	1	
5		xxx	O-RING Included in repair kit E-starter 281262	1	
6		265532	CABLE ASSY.	1	
7		651940	CABLE CLAMP	1	
8		xxx	SCREW M3x8 Included in repair kit E-starter 281262	2	
9		281262	REPAIR KIT (ELECTRIC STARTER) 2 x SCREW M3x8 2 x COMPRESSION SPRING 1 x CARBON BRUSH LEFT 1 x CARBON BRUSH RIGHT 1 x O-RING	1	
10		840888	ALLEN SCREW ISO 4762 - M6x30 - 8.8 Tightening torque 10 Nm	2	
11		666825	IGNITION COIL Ill.no. 11-12 With spark plug cap 866708 (black)	1	
11		666826	IGNITION COIL Ill.no. 11-12 With spark plug cap 866707 (red)	1	
12		866707	SPARK PLUG CONNECTOR Standard (red). short cap	1	
12		866708	SPARK PLUG CONNECTOR Optional (black)	1	
13		298102	SPARK PLUG NGK GR8DI 125 MAX evo serial production	1	
13		298103	SPARK PLUG NGK GR9DI Optional	1	
14		244211	WASHER 6.4 DIN 134	1	
15		842041	LOCK NUT M6 - 6.6	1	
16	N	251129	BATTERY CLAMP With additional p-clamp mounting	1	
17		842680	SHEET NUT M5	2	

## 6 ELECTRONIC COMPONENTS

#	NEW	PART#	DESCRIPTION	QTY	CHANGE
18		992819	STARTER RELAY ASSY.	1	
19		640542	ALLEN SCREW ISO 4762 - M5x12 - 8.8	2	
20		842041	LOCK NUT M6 - 6.6	2	
21		666816	ELECTRONIC BOX DD2	1	
22		201900	RUBBER PAD	1	
23		242141	SHEET NUT M6	1	
24		251254	PIPE CLAMP SET Ill.no. 24-25 For tube diameter 32 mm only	2	
25		251360	PIPE CLAMP	1	
26		264854	MULTIPLE FUNCTION SWITCH	1	
27		660767	RUBBER PAD	1	
28		265516	BATTERY 12 V-6.5Ah UNFILLED RTX cannot be ordered via airfreight	1	
29		481380	BATTERY FIXATION KIT	1	
30		864950	FLAT CONNECTOR	2	
31		201602	BATTERY COVER	1	
32		831929	O-RING 5X2	1	
33		440761	ALLEN SCREW W. ROUNDED FLANGE HEAD M6X20	1	
34		431500	GASKET Use for crank cases with non-machined pick-up sensor flange (before crank case 295915)	1	
35	N	851492	CABLE CLAMP 15/M6 For attachment of the wiring harness to the battery holder	1	
36		241081	ALLEN SCREW M6X10 DIN 912 For attachment of the wiring harness to the battery holder	1	



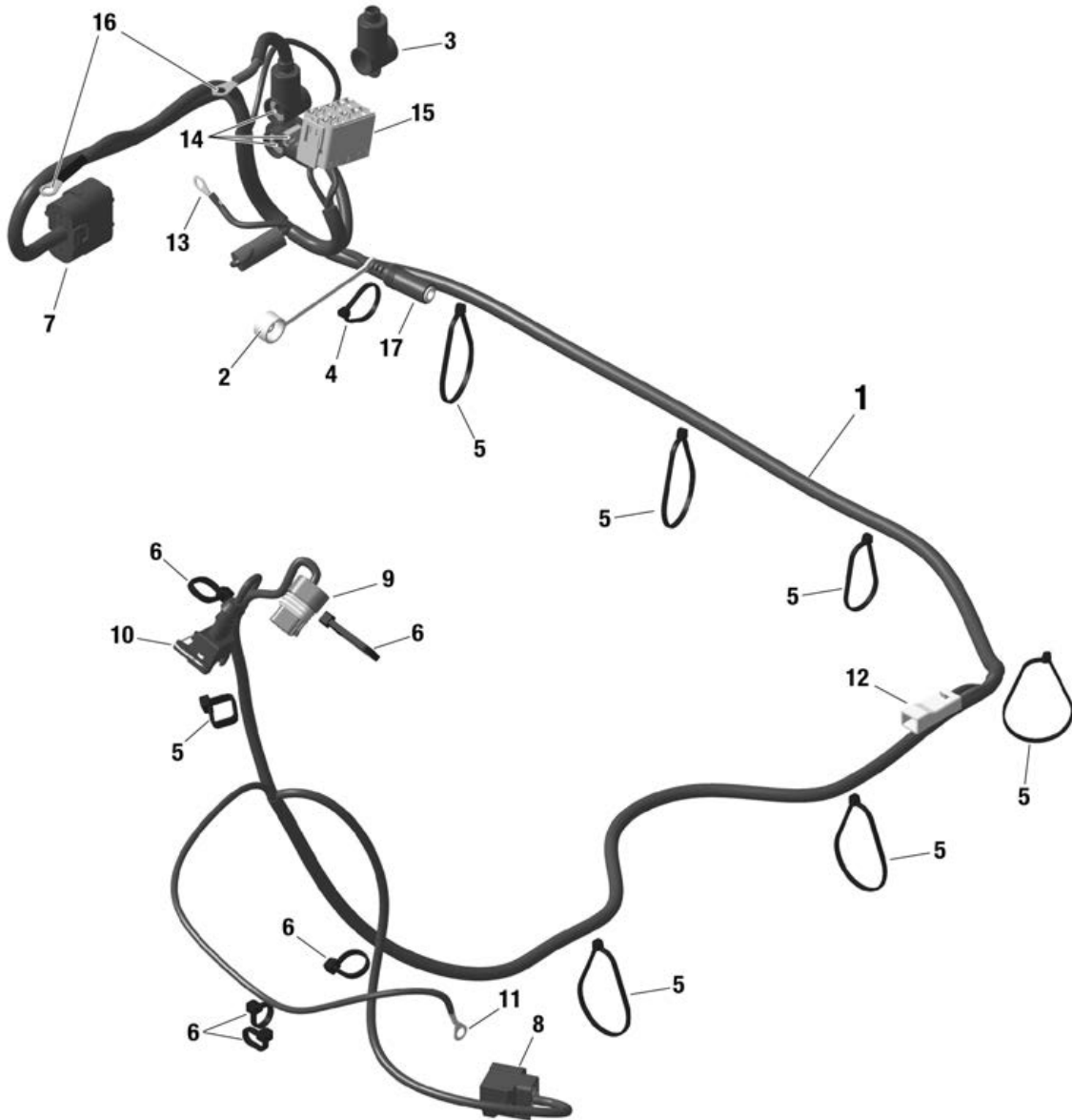
## 7 BATTERY. BATTERY CHARGER



## 7 BATTERY. BATTERY CHARGER

#	NEW	PART#	DESCRIPTION	QTY	CHANGE
1		265148	BATTERY CHARGER	1	
2		266018	ADAPTER-ROW	1	
3		266010	ADAPTER-EURO	1	
4		266012	ADAPTER-UK	1	
5		266014	ADAPTER-USA	1	
6		266016	ADAPTER-AUSTRALIA	1	
7		265516	BATTERY 12 V-6.5Ah UNFILLED RTX YUASA-ROTAX Not available via airfreight	1	
8		864950	FLAT CONNECTOR	2	
9		481380	BATTERY FIXATION KIT	1	
10		266022	CONNECTOR CABLE FOR BATTERY CHARGER 125	1	
11		581320	BATTERYCHARGER ACTIVIA EASY 1202	1	
12		265030	BATTERY LITHIUM TYPE 12V-2.3/2.5Ah Not available via airfreight	1	
13		581325	BATTERY CHARGER OPTIMATE LITHIUM EU connector only Must not be used in Japan	1	

# 8 WIRING HARNESS

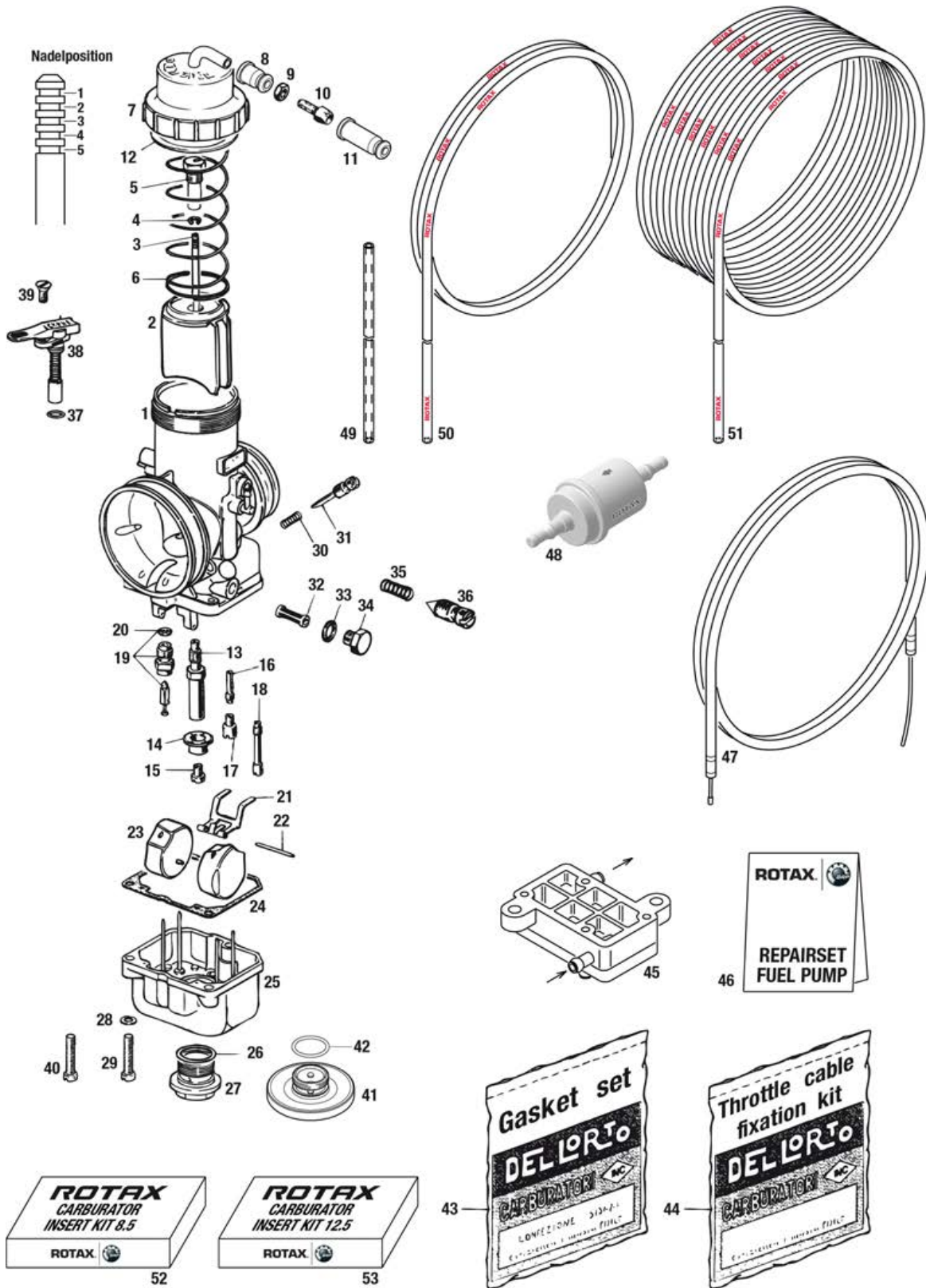


## 8 WIRING HARNESS

#	NEW	PART#	DESCRIPTION	QTY	CHANGE
1	N	666836	WIRING HARNESS	1	
2		666902	CHARGING PLUG CAP	1	
3		666904	RELAY CAP	2	
4		866718	TIE WRAP 94x2.5 MM	2	
5		651397	TIE WRAP 250X4.8 MM	6	
6		866714	TIE WRAP 142x3.2 MM	5	
7		xxx	CONNECTOR ECU	1	
8		xxx	CONNECTOR PICK UP SENSOR	1	
9		xxx	CONNECTOR IGNITION COIL	1	
10		xxx	CONNECTOR RAVE	1	
11		xxx	CONNECTOR SHIFT CONTACT For 125 MAX DD2 only	1	
12		xxx	CONNECTOR STARTER	1	
13		xxx	CONNECTOR GROUND	1	
14		xxx	CONNECTOR STARTER RELAY	3	
15		xxx	CONNECTOR MULTIPLE FUNCTION SWITCH	1	
16		xxx	CONNECTOR BATTERY	2	
17		xxx	CONNECTOR BATTERY CHARGER	1	



# 9 CARBURETTOR. CARBURETTOR ACCESSORIES



## 9 CARBURETTOR. CARBURETTOR ACCESSORIES

#	NEW	PART#	DESCRIPTION	QTY	CHANGE
1		295062	DELL'ORTO CARBURETOR VHSB 34 XS DD2 Jetting "R 09808". Main jet 145	1	
2		262031	CARBURATOR SLIDE 45 Standard	1	
3		261192	JET NEEDLE K 57 Standard	1	
4		245630	CLIP	1	
5		261270	NIPPLE SCREW	1	
6		239885	THROTTLE VALVE SPRING	1	
7		261427	CARBURETOR COVER WITH BENT TUBE ASSY.	1	
8		xxx	RUBBER GROMMET SMALL Use throttle cable fixation kit 268040	1	
9		xxx	HEX.NUT M6x0.75 Use throttle cable fixation kit 268040	1	
10		xxx	ADJUSTMENT SCREW M6x0.75 Use throttle cable fixation kit 268040	1	
11		xxx	RUBBER GROMMET BIG Use throttle cable fixation kit 268040	1	
12		xxx	GASKET Use gasket kit 293834	1	
13		262042	NEEDLE JET DP 267 Standard	1	
14		261550	MAIN JET CUP	1	
15	N	282990	MAIN JET KIT 128 - 138 Recommended for DD2 category	1	
15		281478	MAIN JET KIT 105 - 115	1	
15		281476	MAIN JET KIT 115-118-120-122-125-128-130	1	
15		281474	MAIN JET KIT 190-192-195-198-200	1	
15		281473	MAIN JET KIT 132-135-138-140-142	1	
15		281472	MAIN JET KIT 175-178-180-182-185-188	1	
15		281471	MAIN JET KIT 145-148-150-152-155-158	1	
15		281470	MAIN JET KIT 160-162-165-168-170-172	1	
16		281885	IDLE JET INSERT SET Optional	1	
17		281882	IDLE JET KIT 30-35-40-45-50-55-60 Optional	1	
18		261895	STARTING JET 60 Standard	1	

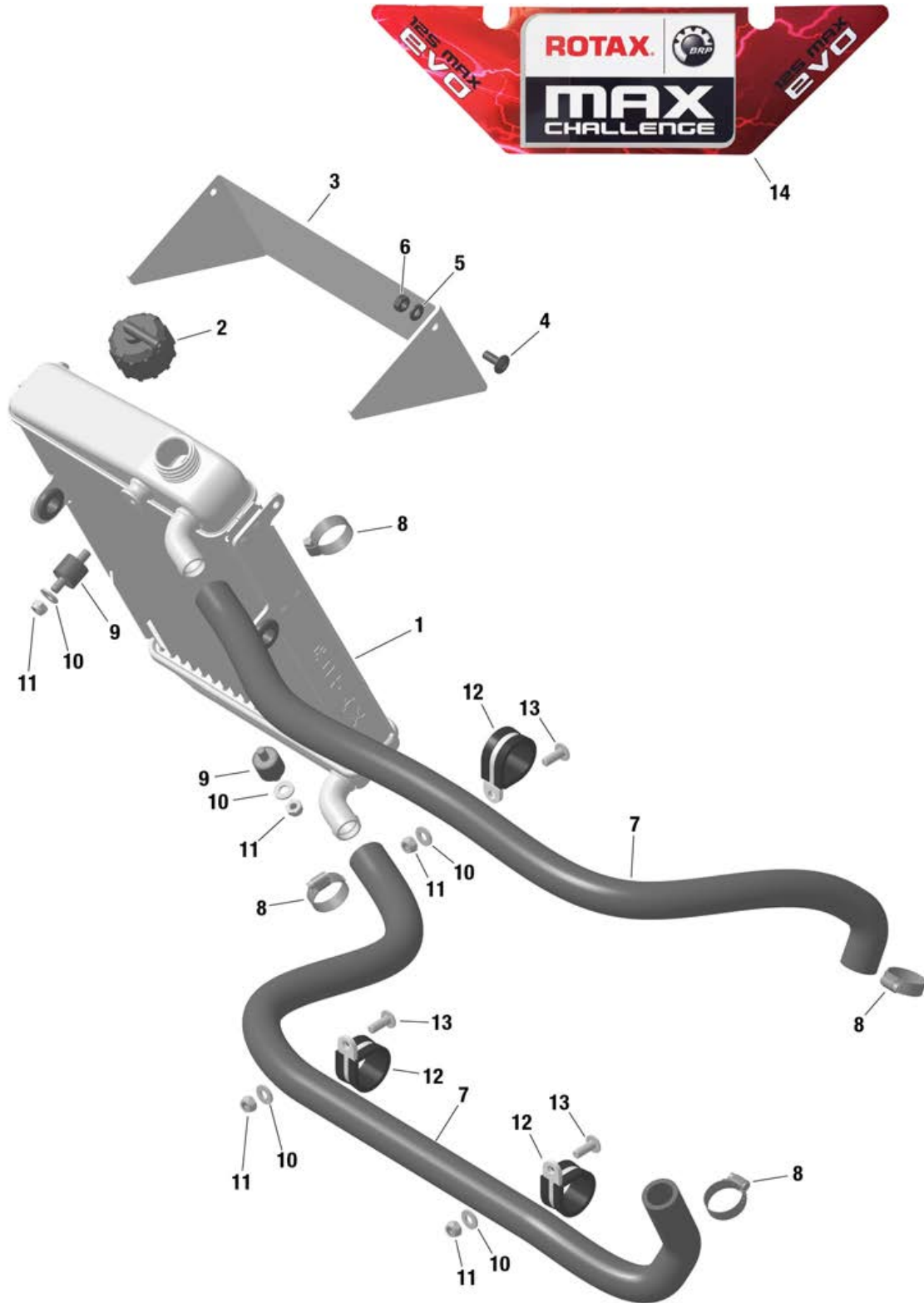
## 9 CARBURETTOR. CARBURETTOR ACCESSORIES

#	NEW	PART#	DESCRIPTION	QTY	CHANGE
19		261881	NEEDLE VALVE 200 Optional	1	
19		261880	NEEDLE VALVE 150 Standard	1	
20		xxx	GASKET Use gasket kit 293834	1	
21		261290	FLOAT BRACKET	1	
22		229271	FLOAT PIN	1	
23		268032	FLOAT 4.0 GR. Standard	2	
23		268031	FLOAT 3.6 GR. Optional	2	
23		268030	FLOAT 5.2 GR. Optional	2	
24		xxx	GASKET Use gasket kit 293834	1	
25		xxx	FLOAT CHAMBER Not available as spare part	1	
26		xxx	GASKET Use gasket kit 293834	1	
27		261373	PLUG SCREW Standard	1	
28		845312	LOCK WASHER VHZ 5	3	
29		262020	ALLEN SCREW M5X20	2	
30		268044	ADJUSTMENT SCREW KIT Ill.no. 30-31	1	
30		xxx	COMPRESSION SPRING	1	
31		xxx	ADJUSTMENT SCREW	1	
32		268042	FUEL SIEVE KIT Ill.no. 32-34	1	
32		xxx	FUEL FILTER optional	1	
33		xxx	GASKET	1	
34		xxx	PLUG SCREW	1	
35		xxx	COMPRESSION SPRING Not available as spare part	1	
36		xxx	ADJUSTMENT SCREW Not available as spare part	1	
37		xxx	GASKET Use gasket kit 293834	1	

## 9 CARBURETTOR. CARBURETTOR ACCESSORIES

#	NEW	PART#	DESCRIPTION	QTY	CHANGE
38		261915	CHOKE LEVER ASSY.	1	
39		240505	COUNTERSUNK SCREW M4.5X10	1	
40		240184	ALLEN SCREW M5X20 Screw with hole for sealing	1	
41		261030	CARBURETOR PLUG SCREW Optional	1	
42		230890	O RING 17-2.5	1	
43		293834	GASKET SET For carburettor	1	
44		268040	THROTTLE CABLE FIXATION KIT	1	
45		994483	MIKUNI-FUEL PUMP	1	
46		296165	GASKET SET FUEL PUMP	1	
47		297122	CABLE BOWDEN ASSY. THROTTLE For carburettor	1	
48		274161	FUEL FILTER WITH ROTAX PRINT	1	
49		260260	AIR VENT HOSE 180 MM	1	
50		974529	TUBE A5X8/2500 MM	1	
51		570910	TUBE 5X8 MM / 50M ROLL ROTAX PRINTED Optional	1	
52		281820	CARBURETOR INSERT KIT 12.5 Standard	1	

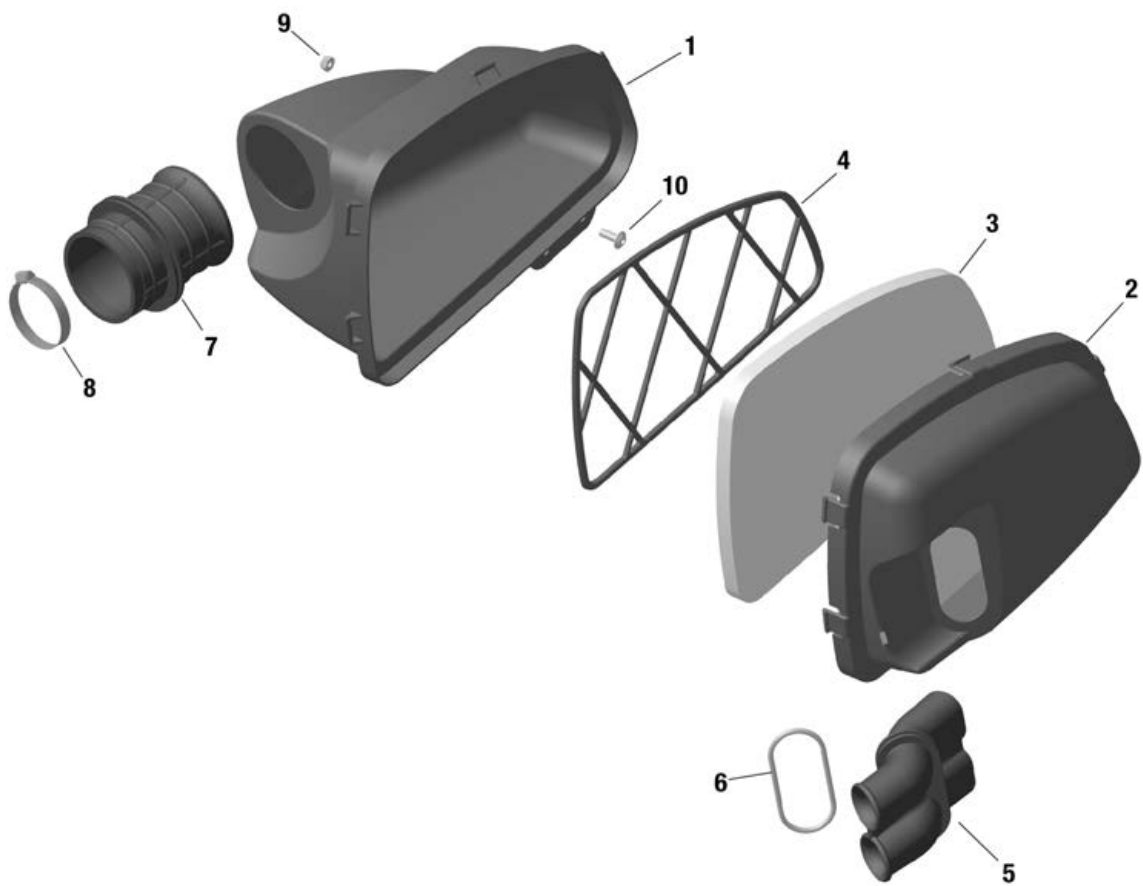
# 10 RADIATOR. RADIATOR ACCESSORIES



## 10 RADIATOR. RADIATOR ACCESSORIES

#	NEW	PART#	DESCRIPTION	QTY	CHANGE
1		295926	RADIATOR WITH CAP ASSY. Ill.no. 1-6	1	
2		222750	RADIATOR CAP WITH GASKET 1.0 BAR	1	
3		201224	RADIATOR FLAP DD2	1	
4		440751	ALLEN SCREW W. ROUNDED FLANGE HEAD M6X16	2	
5		244211	WASHER 6.4 DIN 134	2	
6		842041	LOCK NUT M6 - 6.6	2	
7		222742	COOLING-WATER HOSE NW 18	2	
8		951870	CLAMP 16-25	4	
9		660522	RUBBER BUFFER 18X15XM6	3	
10		244211	WASHER 6.4 DIN 134	6	
11		842041	LOCK NUT M6 - 6.6	6	
12		251430	CABLE CLAMP 26/M6	3	
13		440751	ALLEN SCREW W. ROUNDED FLANGE HEAD M6X16	3	
14	N	582923	RADIATOR STICKER 125 MAX DD2 EVO	1	

# 11 INTAKE SILENCER. AIR FILTER

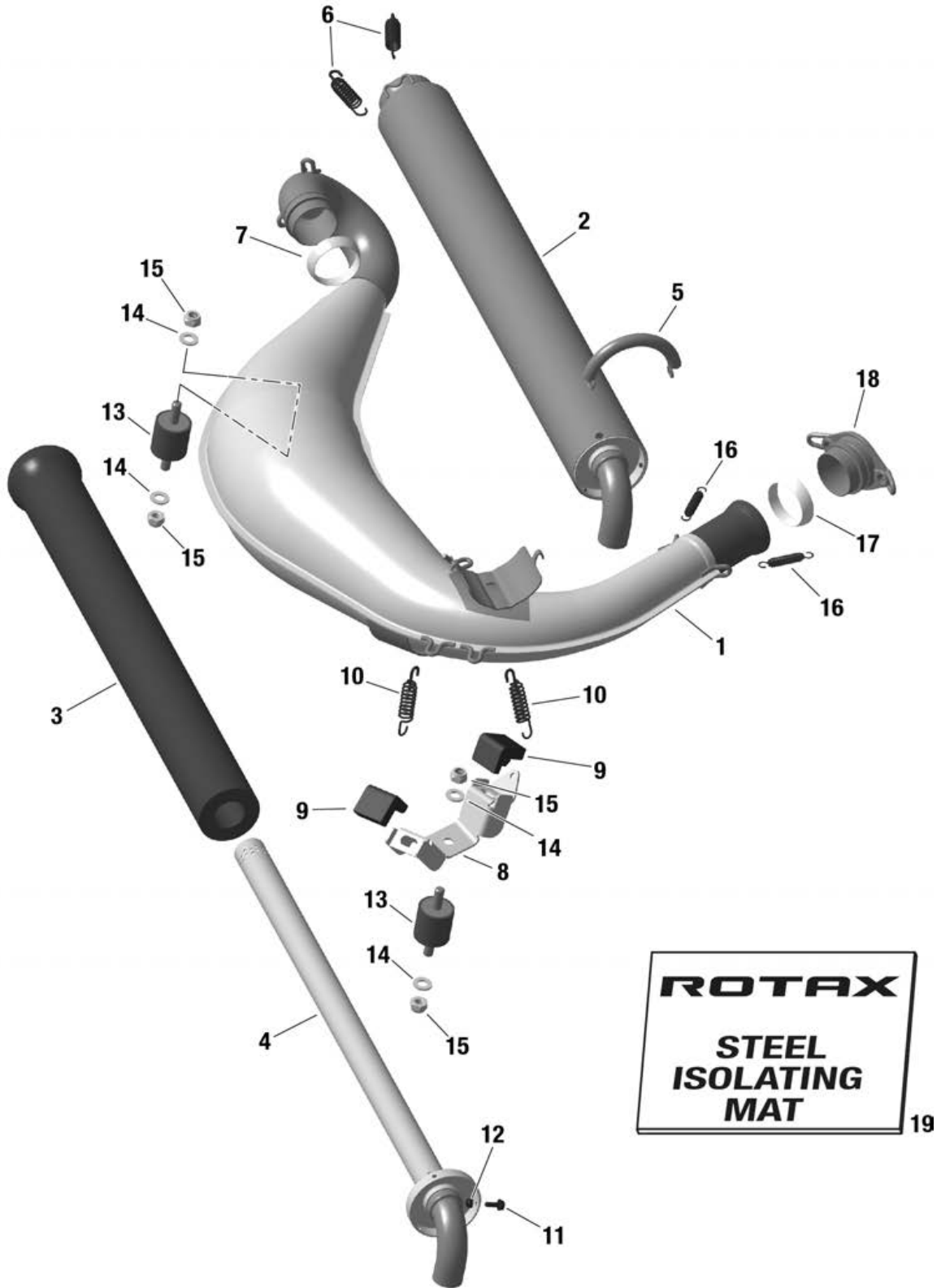


## 11 INTAKE SILENCER. AIR FILTER

#	NEW	PART#	DESCRIPTION	QTY	CHANGE
1		225013	INTAKE SILENCER CASE	1	
2		225023	INTAKE SILENCER COVER	1	
3		225054	FILTER ELEMENT	1	
4		225062	HOLDER FOR FILTER ELEMENT	1	
5		225041	INTAKE SILENCER TUBE	1	
6		650500	O-RING DIN 3771-59.52X2.62-N. NBR 70 O-Ring is only necessary for old airbox(225012 and 225022)	1	
7		225031	CARBURETOR SOCKET	1	
8		951791	CLAMP 50-70	1	
9		842041	LOCK NUT M6 - 6.6	1	
10		440751	ALLEN SCREW W. ROUNDED FLANGE HEAD M6X16	1	



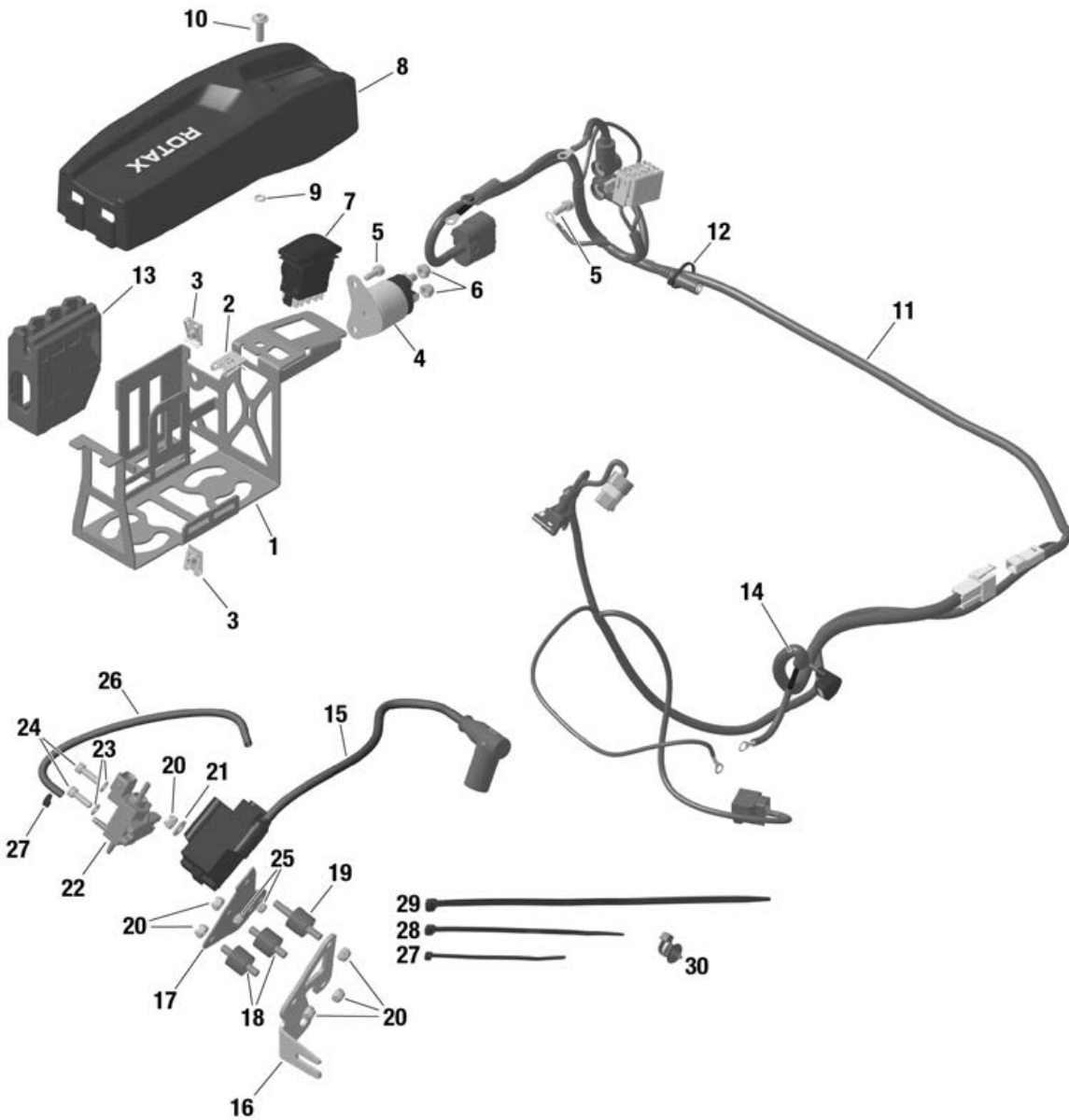
# 12 EXHAUST SYSTEM



## 12 EXHAUST SYSTEM

#	NEW	PART#	DESCRIPTION	QTY	CHANGE
1		273180	EXHAUST SYSTEM 125 MAX DD2 EVO Ill.no. 1-7	1	
1		273185	EXHAUST MUFFLER ASSY. 125 MAX DD2 EVO	1	
2		273220	SILENCER ASSY. Ill.no. 2-4	1	
3		297982	ISOLATING MAT	1	
4		273210	PERFORATED TUBE ASSY.	1	
5		238945	TENSION SPRING	2	
6		938798	SPRING STAINLESS	2	
7		450360	EXHAUST GASKET	1	
8		651075	RETAINING PLATE	1	
9		201720	RUBBER BUFFER	2	
10		938798	SPRING STAINLESS	2	
11		440291	ALLEN SCREW M4X12 DIN 912 As replacement for rivets in case of repair	3	
12		242533	LOCK NUT ISO 7042 - M4 - A2-70 As replacement for rivets in case of repair	3	
13		660920	RUBBER BUFFER 30X30XM8	2	
14		250313	WASHER 8.4 STAINLESS STEEL	4	
15		942031	LOCK NUT DIN 985-M8-8.8	4	
16		938798	SPRING STAINLESS	2	
17		450360	EXHAUST GASKET	1	
18		xxx	EXHAUST SOCKET ASSY See Chap. 2. Pos. 30	1	
19		297983	ISOLATING MAT STEEL WITH TIE WRAP	0.01	

# 13 EVO UPGRADE KIT IGNITION



### 13 EVO UPGRADE KIT IGNITION

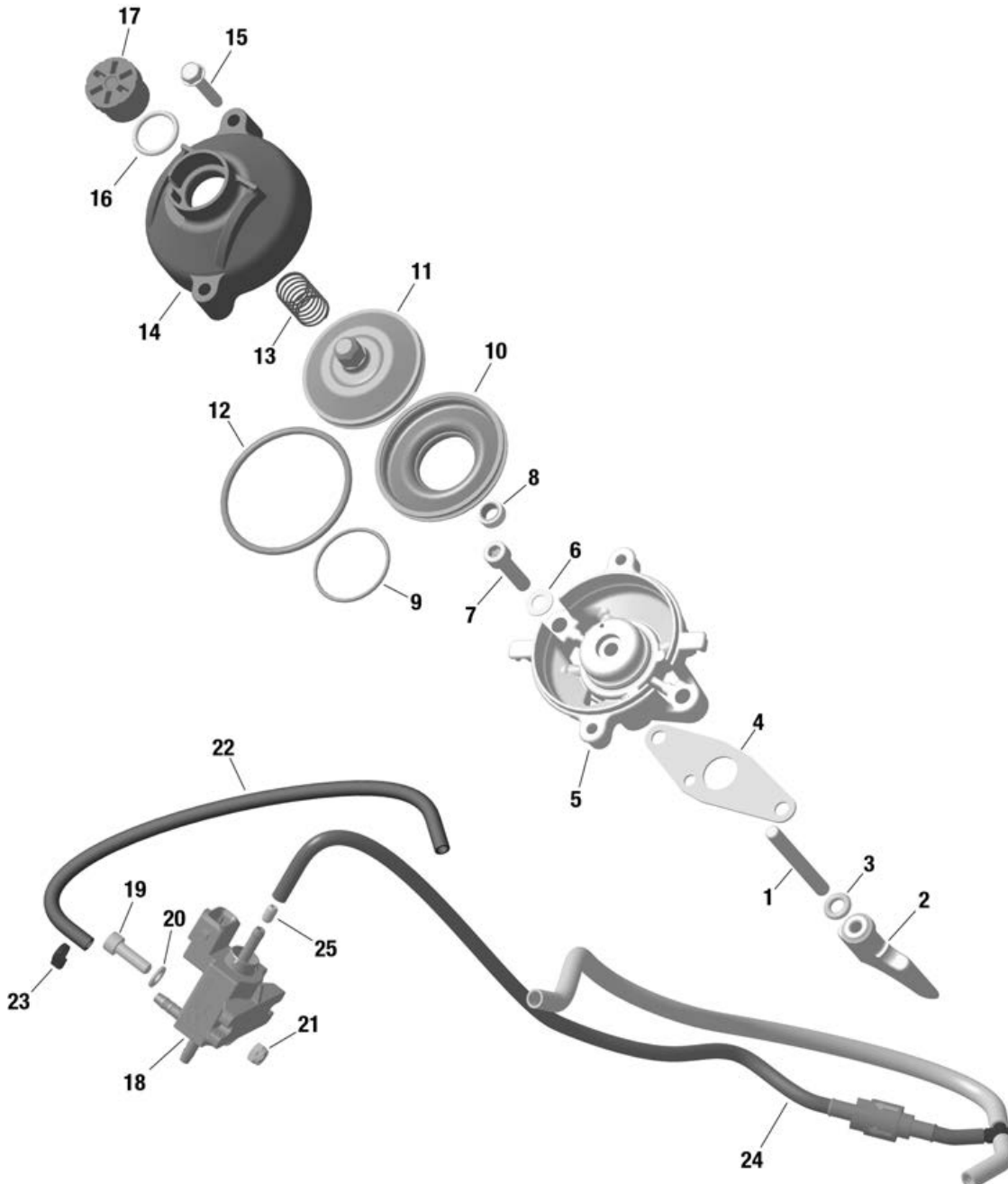
#	NEW	PART#	DESCRIPTION	QTY	CHANGE
1		251124	BATTERY CLAMP EVO ASSY. Ill. no. 1-13	1	
1		xxx	BATTERY CLAMP See Chapter 06 Pos. 16	1	
2		xxx	SHEET NUT M6 See Chapter 06 Pos. 23	1	
3		xxx	SHEET NUT M5 See Chapter 06 Pos. 17	1	
4		xxx	STARTER RELAY ASSY. See Chapter 06 Pos. 18	1	
5		xxx	ALLEN SCREW ISO 4762 See Chapter 06 Pos. 19	1	
6		xxx	LOCK NUT M6 See Chapter 06 Pos. 20	1	
7		xxx	MULTIPLE FUNCTION SWITCH See Chapter 06 Pos. 26	1	
8		xxx	BATTERY COVER See Chapter 06 Pos. 31	1	
9		xxx	O-RING 5x2 See Chapter 06 Pos. 32	1	
10		xxx	ALLEN SCREW M6X20 See Chapter 06 Pos. 33	1	
11		xxx	WIRING HARNESS See Chapter 08 Pos. 01	1	
12		xxx	TIE WRAP 94x2.5 See Chapter 08 Pos. 04	1	
13		xxx	RUBBER PAD See Chapter 06 Pos. 22	1	
14		265532	CABLE ASSY.	1	
15		666826	IGNITION COIL With spark plug cap 866707 (red)	1	
15		666825	IGNITION COIL With spark plug cap 866708 (black)	1	
16		651067	RETAINING PLATE	1	
17		651925	MOUNTING PLATE	1	
18		660522	RUBBER BUFFER 18X15XM6	2	
19		660520	RUBBER BUFFER 18X15XM6	1	
20		842041	LOCK NUT M6 - 6.6	6	
21		244211	WASHER 6.4 DIN 134	1	

### 13 EVO UPGRADE KIT IGNITION

#	NEW	PART#	DESCRIPTION	QTY	CHANGE
22		xxx	Included in kit 481260 Ill. no. 22-27	1	
27		866718	TIE WRAP 94x2.5 MM	1	
28		866714	TIE WRAP 142x3.2 MM	1	
29		651397	TIE WRAP 250X4.8 MM	1	
30		951341	TIE WRAP WITH MOUNT 202X4.6	1	



# 14 EVO UPGRADE KIT E-EXHAUST VALVE

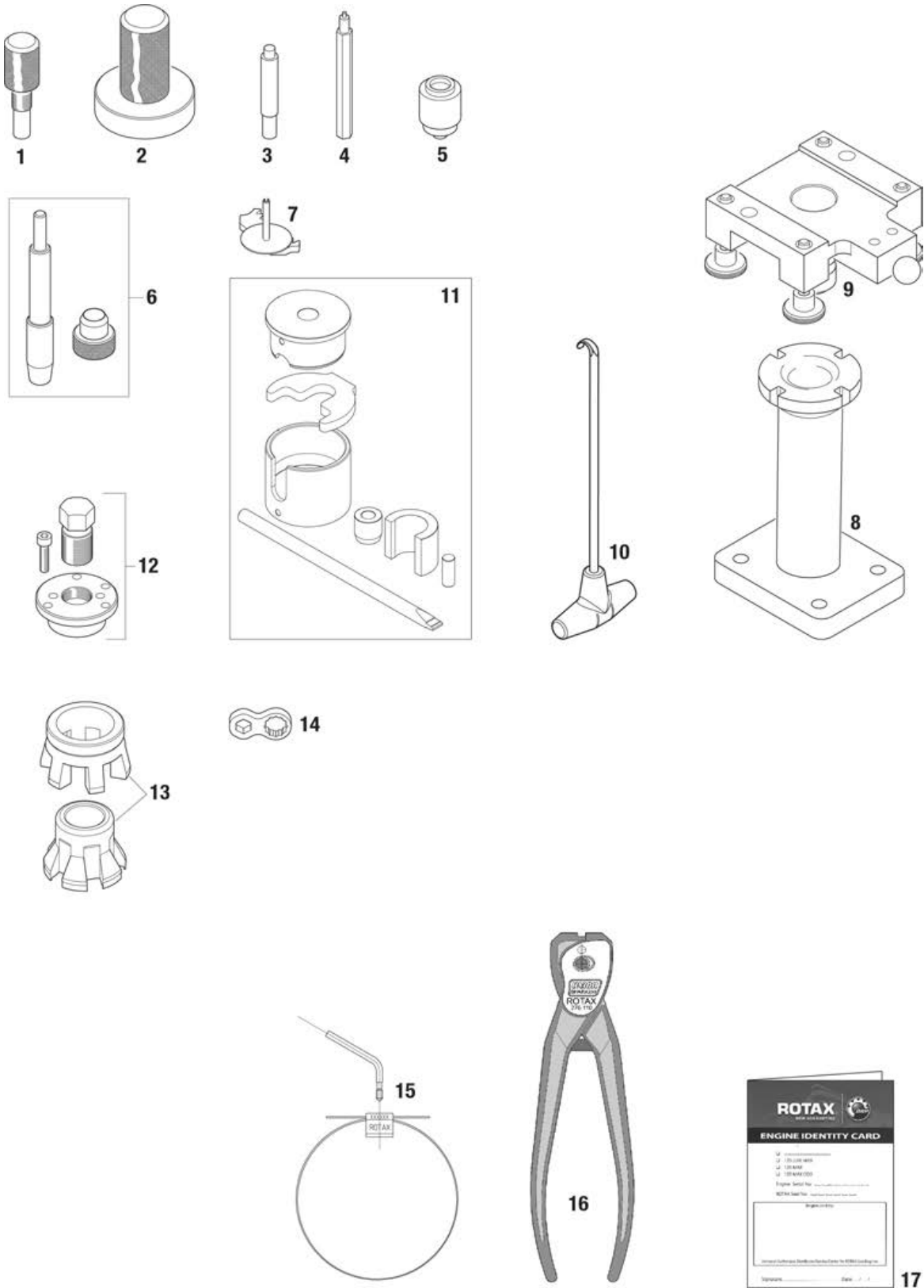


## 14 EVO UPGRADE KIT E-EXHAUST VALVE

#	NEW	PART#	DESCRIPTION	QTY	CHANGE
1		441358	STUD M6X52.5 MK	1	
1		481260	EVO UPGRADE KIT E-EXHAUST VALVE Ill.no. 1-25	1	
2		253725	EXHAUST VALVE	1	
3		230261	O-RING 6X2.5 NBR 70 RED	1	
4		250231	GASKET	1	
5		253385	VALVE ROD HOUSING KPL.	1	
6		845020	SPRING WASHER B6	2	
7		840866	ALLEN SCREW ISO 4762 - M6x25 - 8.8	2	
8		930500	OIL SEAL 6X11X3/4.5	1	
9		838255	HOSE SPRING 70-1.7-0.3	1	
10		260723	BELLOW	1	
11		854440	EXHAUST VALVE PISTON	1	
12		939280	HOSE SPRING 134-3.0-0.65	1	
13		239952	COMPRESSION SPRING 48.5/0.8 MM	1	
14		911559	VALVE COVER	1	
15		241271	TAPTITE-SCREW M5X25	2	
16		430220	O-RING 15.9-2.3	1	
17		241220	ADJUSTMENT SCREW	1	
18		664630	SOLENOID VALVE	1	
19		840514	ALLEN SCREW ISO 4762 - M5x16 - 8.8	2	
20		927574	WASHER 5.3 DIN 125	2	
21		842032	LOCK NUT M5-6.6	2	
22		660575	PRESSURE LINE 220 MM	1	
23		866718	TIE WRAP 94x2.5 MM	1	
24		651010	HOSE PACKAGE RAVE CONTROL UNIT	1	
25		956305	IMPULSE NOZZLE Optional	1	



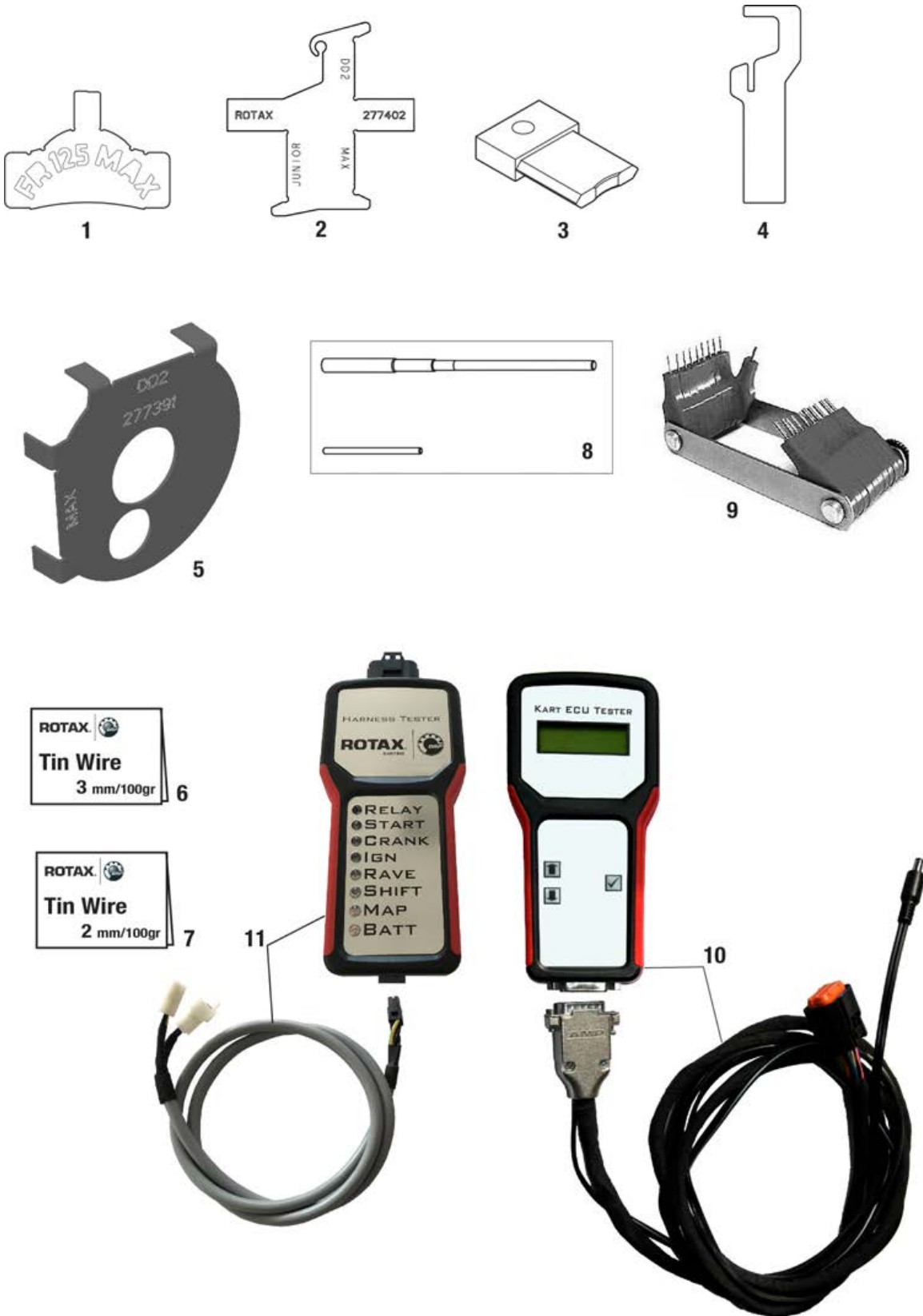
# 15 REPAIR TOOLS



## 15 REPAIR TOOLS

#	NEW	PART#	DESCRIPTION	QTY	CHANGE
1		277381	FIXATION TOOL FOR CRANKSHAFT For blocking the crankshaft	1	
2		676022	INSERTION JIG For oil seal of hollow shaft	1	
3		676030	INSERTION JIG For needle bushing of E-starter	1	
4		676032	INSERTION JIG For slotted spring pin of waterpump impeller	1	
5		676021	INSERTION JIG For oil seals of waterpump shaft	1	
6		676035	INSERTION TOOL For installation of piston pin circlips	1	
7		676202	FIXATION TOOL ASSY. DD2 For blocking the starter gear For engine version no. Diecast	1	
8		877930	TRESTLE SUPPORT	1	
9		676052	FIXING PLATE FOR ENGINE For ROTAX engine types FR 125 MAX / 125 MAX DD2	1	
10		251680	SPRING HOOK For exhaust springs	1	
11		276051	CRANKSHAFT REPAIR JIG	1	
12		276016	PULLER ASSY.	1	
13		276070	ASSEMBLY TOOL BELLOW SPRING EXHAUST V.	1	
14		676110	WRENCH ADAPTER 11/8	1	
15		297041	ROTAX-SEAL WITH BAR CODE With registered serial no. For authorised distributors only	1	
16		276110	ROTAX SEAL CALLIPER For authorised distributors only	1	
17		297240	ENGINE IDENTITY CARD For authorised distributors only	1	

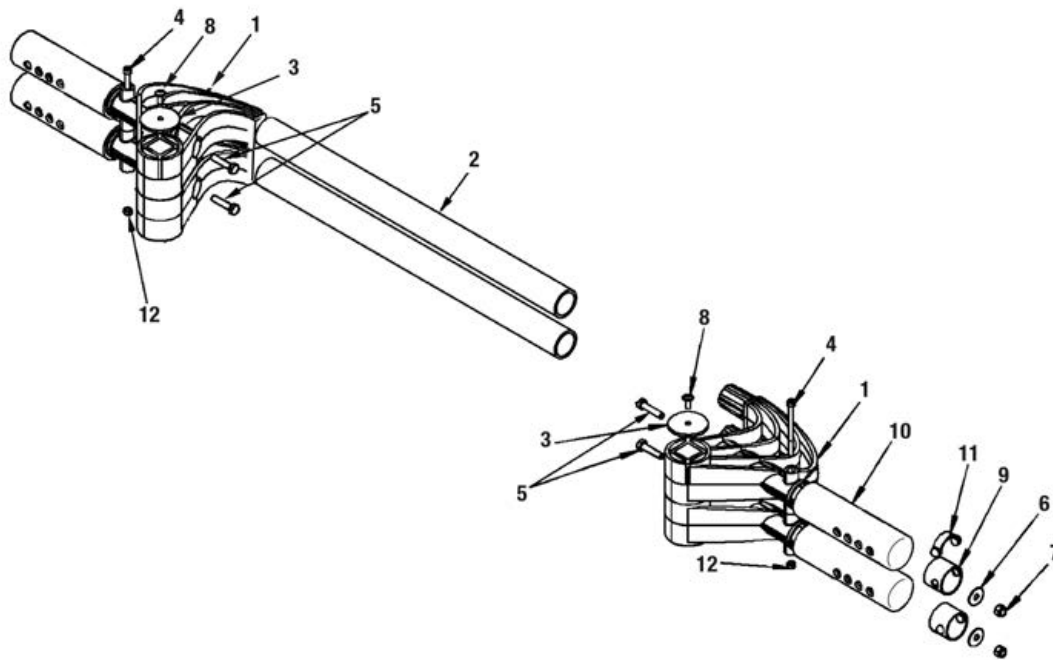
# 16 SCRUTINEERING TOOLS



## 16 SCRUTINEERING TOOLS

#	NEW	PART#	DESCRIPTION	QTY	CHANGE
1		277390	COMBUSTION CHAMBER INSERT TEMPLATE	1	
2		277402	EXHAUST PORT HEIGHT TEMPLATE	1	
3		277030	EXHAUST VALVE GAUGE	1	
4		277400	CONTROL TEMPLATE CARBURETOR VHSB34	1	
5		277391	GAUGE CRANKSHAFT	1	
6		580132	TIN WIRE 3 MM-100 GR	1	
7		580130	TIN WIRE 2 MM-100 GR	1	
8		676034	FITTING MANDREL VENTURI	1	
9		281920	JET GAUGE SET 0.45 - 1.50 MM	1	
10		276230	ECU tester For Dellorto ECU	1	
11		276231	WIRING HARNESS TESTER	1	

# 17 REAR TIRE PROTECTION SYSTEM



## 17 REAR TIRE PROTECTION SYSTEM

#	NEW	PART#	DESCRIPTION	QTY	CHANGE
1		660600	REAR BUMPER	4	
1		281570	REAR TIRE PROTECTION SYSTEM ASSY. MOD.05 Ill.no. 1-12	1	
2		570060	REAR FENDER TUBE 40X3.7X550	2	
3		570120	DISTANCE WASHER 52X4	2	
4		241503	ALLEN SCREW ISO 4762 - M6x80 - 8.8	2	
5		241342	HEX. SCREW ISO 4017 - M8X35 - 10.9	4	
6		627960	WASHER 8/25/1.8	4	
7		942031	LOCK NUT DIN 985-M8-8.8	4	
8		440751	ALLEN SCREW W. ROUNDED FLANGE HEAD M6X16	2	
9		233130	ANTIFRICTION BUSHING	4	
10		570056	TYRE PROTECTION ROLLER 50X4.6X178	4	
11		570080	SPRING ELEMENT	4	
12		842041	LOCK NUT M6 - 6.6	4	

# 18 ACCESSORIES



## 18 ACCESSORIES

#	NEW	PART#	DESCRIPTION	QTY	CHANGE
1	N	276103	DIGITAL TIRE PRESSURE GAUGE	1	
2		581381	DIGITAL HOURMETER ROTAX	1	
3		581385	SYRINGE 60 ML	1	
4		276220	JET HOLDER ROTAX	1	
5		282880	FOLDABLE BOX 430X362X295 INSIDE	1	
6		282885	CORNER PROTECTOR PADS	8	



# 19 SERVICE PRODUCTS



B



C



E



I



W

## 19 SERVICE PRODUCTS

#	NEW	PART#	DESCRIPTION	QTY	CHANGE
1		897651	LOCTITE 243 BLUE. 10 CC. Illustration letter B	0.01	
2		899788	LOCTITE 648 GREEN. 5 GR. Illustration letter C	0.01	
3		297434	LOCTITE ANTI SEIZE 15378 50 ML. Illustration letter E	0.01	
4		897330	LITHIUM-BASE GREASE. 250 GR.. Illustration letter I	0.01	
5		899564	KLUEBER ISOFLEX TOPAS NB 52 0.4 KG Illustration letter W	0.01	

# ROTAX®

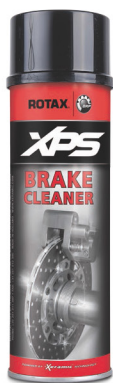


# XPS



XPS KART TEC® 2018 PRODUCT CATALOGUE

POWERED BY Xceramic TECHNOLOGY



**XPS® KART TEC BRAKE CLEANER**  
Part No: 25315    Contents: 500 ml

XPS® KART TEC BRAKE CLEANER. Biodegradable multi cleaner for the effective and environmentally safe cleaning of brake components etc. Contains no chlorinated hydrocarbons. Does not corrode plastic and rubber components. A versatile, high-grade cleaning agent that even dissolves resinified contamination.

**XPS® KART TEC BRAKE CLEANER**



**XPS® KART TEC CARBURETTOR CLEANER**  
Part No: 25311    Contents: 500 ml

XPS® KART TEC CARBURETTOR CLEANER dissolves gum, carbon and varnish deposits quick and effectively without dismantling the carburettor. Does not affect plastic and rubber parts and is free of chlorinated hydrocarbons. Suitable for all different types of carburettors used in karting.

**XPS® KART TEC CARB CLEANER**



**XPS® KART TEC INSTANT GASKET BLACK**  
Part No: 25151    Contents: 200 ml

XPS® KART TEC INSTANT GASKET BLACK is designed for engines fitted with oxygen sensors. Ideal for replacement gaskets for valve covers, transmission and oil pans, water pumps, thermostat housings, asbestos, exhaust manifolds, thermostat housings and many more. Resists transmission fluids, water, oil and anti-freeze. Replaces cork, paper, felt and rubber gaskets. IMPORTANT: Not recommended for use on head gaskets or continuous immersion in gasoline. Withstands high temperatures up to 250°C (intermittent). Temperature range - 73°C up to + 250°C. Low volatile, oxygen sensor safe.

**XPS® KART TEC GASKET BLACK**



**XPS® KART TEC HELMET VISOR CLEANER**  
Part No: 25404    Contents: 200 ml

XPS® KART TEC VISOR CLEANER. For thoroughly and effective cleaning of the helmet visor. Removes greasy finger marks and squashed insects without a problem and gives a sparkling finish to the helmet visor. Shake can well before use and spray sparingly onto surface. Wipe off immediately and polish with a clean and dry cloth.

**XPS® KART TEC VISOR CLEANER**



**XPS® KART TEC HANDCLEANER YELLOW**  
Part No.: 25423    Contents: 600 ml  
Part No.: 25426    Contents: 4 Ltr incl. pump

XPS® KART TEC HANDCLEANER YELLOW. Powerful citrus handcleaner for removing heavy duty industrial soiling. It's unique product formulation easily removes stubborn soiling like grease, tar, ink, adhesive and paint. Cleans and moisturises the hands and prevents skin irritation.

**XPS® KART TEC HANDCLEANER**



**XPS® KART TEC BRAKE FLUID DOT 4**  
Part No: 25475  
Contents: 250 ml

XPS® KART TEC BRAKE FLUID DOT 4 has been developed for use in all hydraulically operated brake and or clutch systems where a DOT 4 is specified.



**XPS® KART TEC BRAKE FLUID DOT 5.1**  
Part No: 25476  
Contents: 250 ml

XPS® KART TEC BRAKE FLUID DOT 5.1 has been developed for use in all hydraulically operated brake and or clutch systems where a DOT 5.1 is specified.

**XPS KART TEC BRAKE FLUIDS**



**XPS® KART TEC 75 HAND CLEANING POWER WIPES**  
Part No: 25427    Contents: 75 pieces

Impregnated hand cleaning wipes. Large heavy-duty towels textured for exceptional cleaning. Ideally suitable for use where water is not available. Mild for skin. Provides a fresh scent to the hands.

**XPS® KART TEC POWER WIPES**



**XPS® KART TEC KART CLEANER + PRESSURE SPRAYER**  
Part No: 25501    Contents: 5 Ltr.  
Part No: 25935    Capacity: 1,5 Ltr

XPS® KART TEC KART CLEANER. A highly concentrated and effective biodegradable alkaline cleaner with a unique formulation which removes dirt easily. Completely safe to use on aluminium, chrome, synthetic material, painted surfaces, plastic and rubber parts. In case of extreme soiling allow to work up to 30 minutes maximum before rinsing off thoroughly. XPS® KART TEC KART CLEANER leaves a complete all over shine.

**XPS® KART TEC KART CLEANER**



**XPS® KART TEC SYNMAX FULL SYNTHETIC  
2T KART RACING OIL**

Part No: 25470    Contents: 1 Ltr.



XPS® KART TEC SYNMAX 2 STROKE FULLY SYNTHETIC KART RACING OIL is the superior pre mix racing 2-stroke oil specially developed for ROTAX 125 MAX engine family. Official oil of the Rotax Max Challenge, Euro Challenge and Rotax Grand Finals.

Formulated to provide:

- Outstanding lubricity under extreme conditions (high revolutions, high temperature)
- Optimum deposit control for a clean engine and exhaust valve
- Maximum power output without compromising component protection
- Easy to blend and long term stability in fuel/oil mixture

For ROTAX 125 MAX engines use mixing ratio of:

1:30 (3% oil) for break in

1:50 (2% oil) for optimum performance

For other engines follow mixing instruction of engine manufacturer.

**XPS KART TEC SYNMAX 2T OIL**

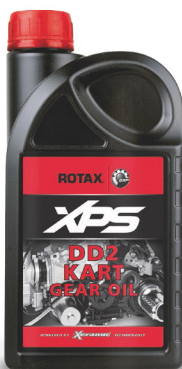


**XPS® KART TEC BEARING LUBE**

Part No: 25406    Contents: 400 ml

XPS® KART TEC BEARING LUBE is specially developed for the optimum lubrication of kart axle and wheel bearings. The special formulation guarantees superb lubrication with low viscosity which results in smoother, faster running bearings and also helps to displace water during wet weather. It is suitable for all ball and roller bearings as well as ball joints such as track rod ends. For best performance apply before every race or practice session.

**XPS KART TEC BEARING LUBE**



**XPS® KART TEC DD2 KART GEAR OIL**

Part No: 25473    Contents: 1 Ltr

XPS® KART TEC DD2 KART GEAR OIL is especially developed for the ROTAX MAX DD2 high performance kart engines. Reduces wear and is temperature resistant. For the correct dosage follow the engine manufacturer recommendations. We advise to change the XPS® KART TEC DD2 KART GEAR OIL every 5 working hours.

**XPS KART TEC DD2 GEAR OIL**



**XPS® KART TEC KART GEAR OIL**

Part No: 25472    Contents: 1 Ltr

XPS® KART TEC KART GEAR OIL is especially developed for the ROTAX MAX high performance kart engines. Reduces wear and is temperature resistant. For the correct dosage follow the engine manufacturer recommendations. Not suitable for kart engines with manual gearboxes! We advise to change the XPS® KART TEC KART GEAR OIL every 5 working hours.

**XPS® KART TEC KART GEAR OIL**



**XPS® KART TEC KART CHAIN LUBE**

Part No: 25110    Contents: 500 ml

XPS® KART TEC KART CHAIN LUBE is especially developed for optimum lubrication and protection of kart chains under extreme circumstances. The special formulation guarantees an extremely sticky lubrication under all weather conditions and temperatures! Shake can before use! O-ring tested!

**XPS KART TEC CHAIN LUBE**



**XPS® KART TEC SYNTHETIC CHAIN SPRAY**

Part No: 25108    Contents: 500 ml

XPS® KART TEC SYNTHETIC CHAIN SPRAY is an advanced chain spray with long-life properties, based on ceramic material. This unique material, originally developed for use in space flight, has now been given a revolutionary application by XPS® KART TEC. XPS® KART TEC SYNTHETIC CHAIN SPRAY is composed of synthetic elements, enriched with ceramic material and special additives that result in a unique lubrication. XPS® KART TEC SYNTHETIC CHAIN SPRAY does not dry-out, it keeps the chain flexible and is heat-resistant. O-ring tested!

**XPS® KART TEC CHAIN SPRAY**



**XPS® KART TEC WHITE CHAIN SPRAY**

Part No: 25112    Contents: 500 ml

XPS® KART TEC WHITE CHAIN SPRAY. Based on high-tech ceramic material for optimal and long-term lubrication and protection under all circumstances. Great adhesive qualities, superb penetration, corrosion resistance, reduces wear and friction, keeps the chain flexible and is heat resistant. O-ring tested!

**XPS® KART TEC WHITE CHAIN**



**XPS® KART TEC CERAMIC MULTI SPRAY**

Part No: 25405    Contents: 500 ml

XPS® KART TEC CERAMIC MULTI SPRAY. General maintenance lubricant with high-tech ceramic material for optimal and long-life protection. The ceramic material resists high temperatures and lubricates under all extreme circumstances. It has excellent water-resistance, great penetrating characteristics and sticks to any surface. Protects against corrosion and preserves rubber parts. For lubrication and protection of bearings, ball bearings, cables etc.

**XPS® KART TEC MULTI SPRAY**

# ROTAX®



# XPS



XPS® and the BRP Logo are trademarks of Bombardier Recreational Products Inc. or its affiliates.  
WWW.BRP.COM - WWW.KART-ROTAX.COM



XPS® KART TEC IS MANUFACTURED BY PETROMARK AUTOMOTIVE CHEMICALS BV - BEVERWIJK, THE NETHERLANDS  
PHONE: +31 251 211 397 • INFO@PETROMARK.EU  
PM XERAMIC® IS A REGISTERED TRADEMARK OF PETROMARK AUTOMOTIVE CHEMICALS BV

POWERED BY **Xeramic** TECHNOLOGY

**ROTAX**<sup>®</sup>

